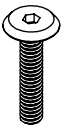



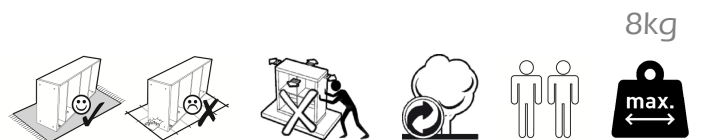
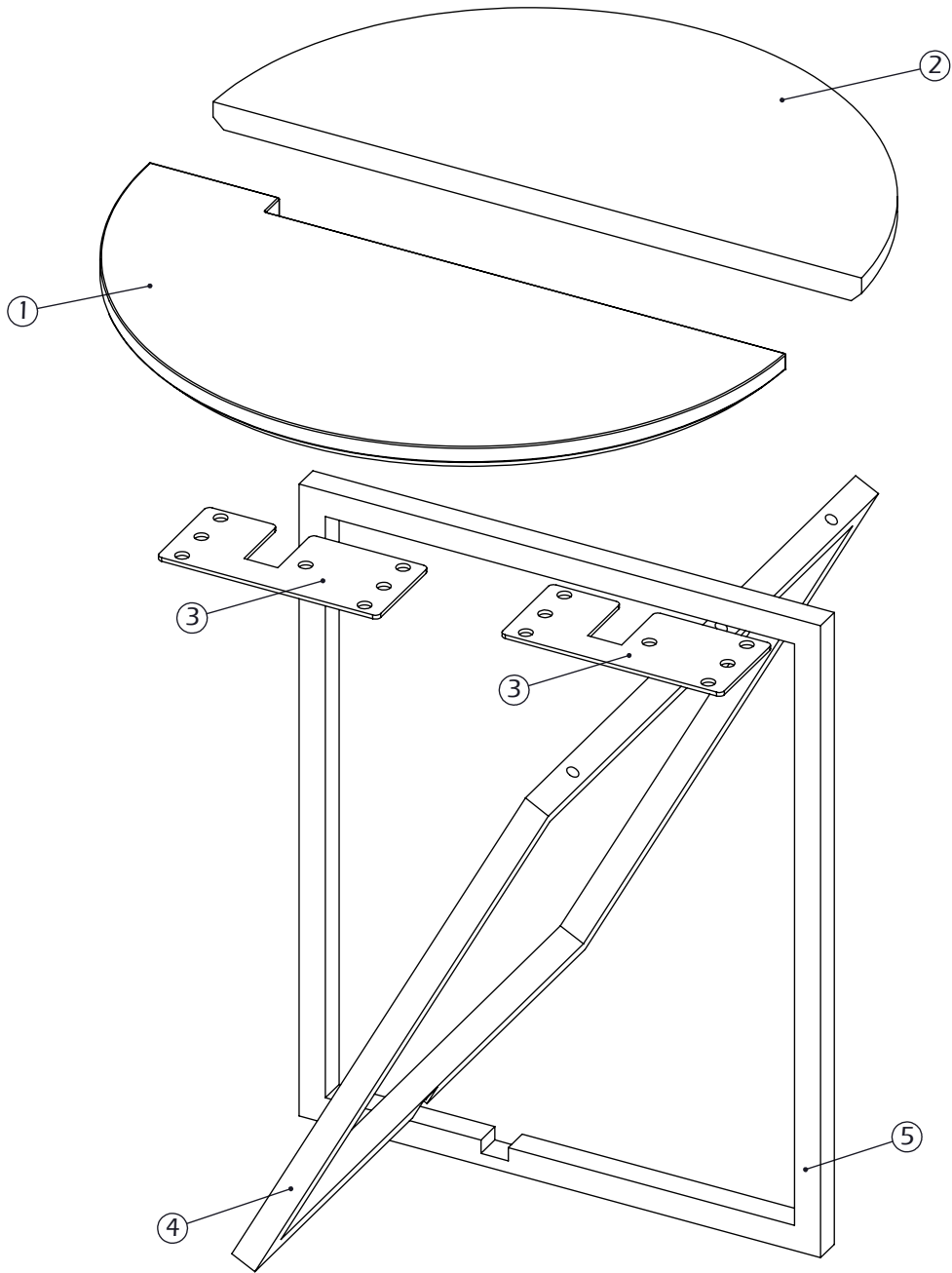


7200.817

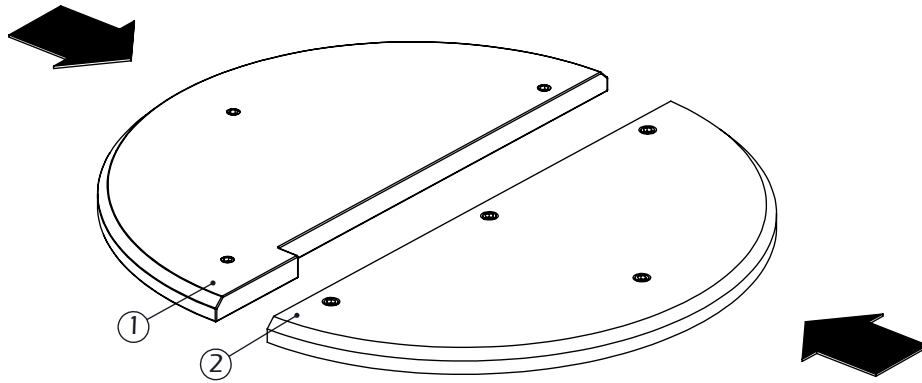
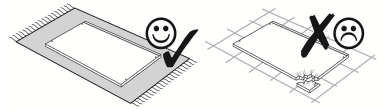
A - 3x	B - 9x	C - 1x	D - 4x
			
<p>M6x30mm 0512.191</p>	<p>M6x12mm 0512.122</p>	<p>64x13x4mm 0900.184</p>	<p>Ø10x2,5mm 0520.063</p>



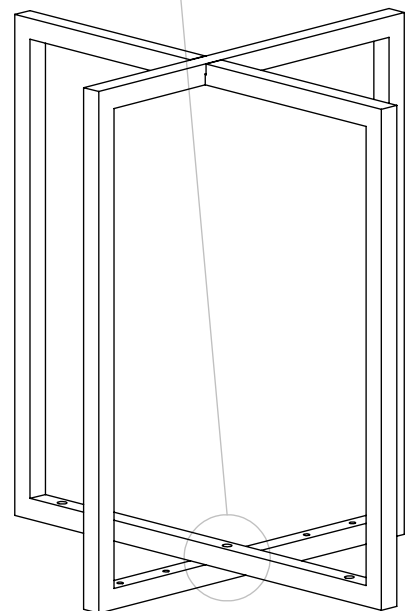
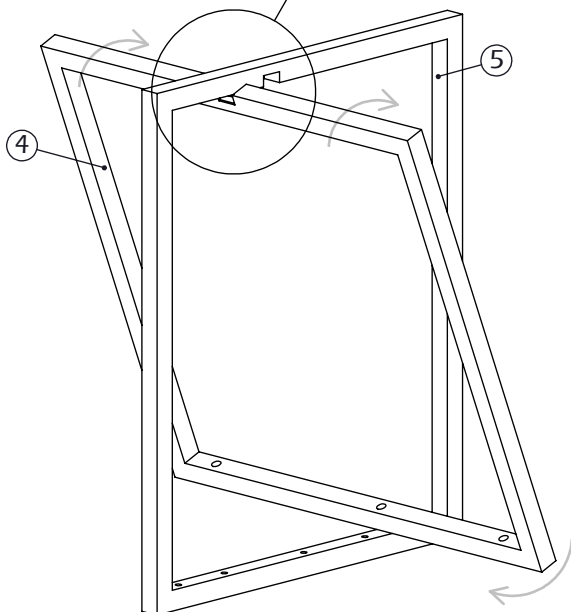
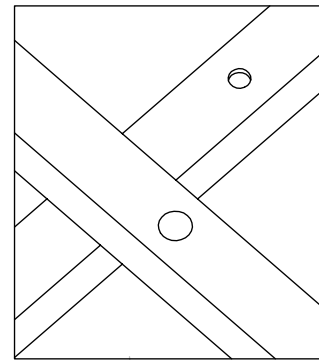
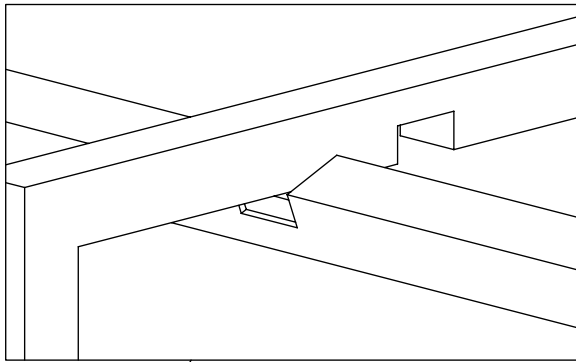
IM-0623.1151/0



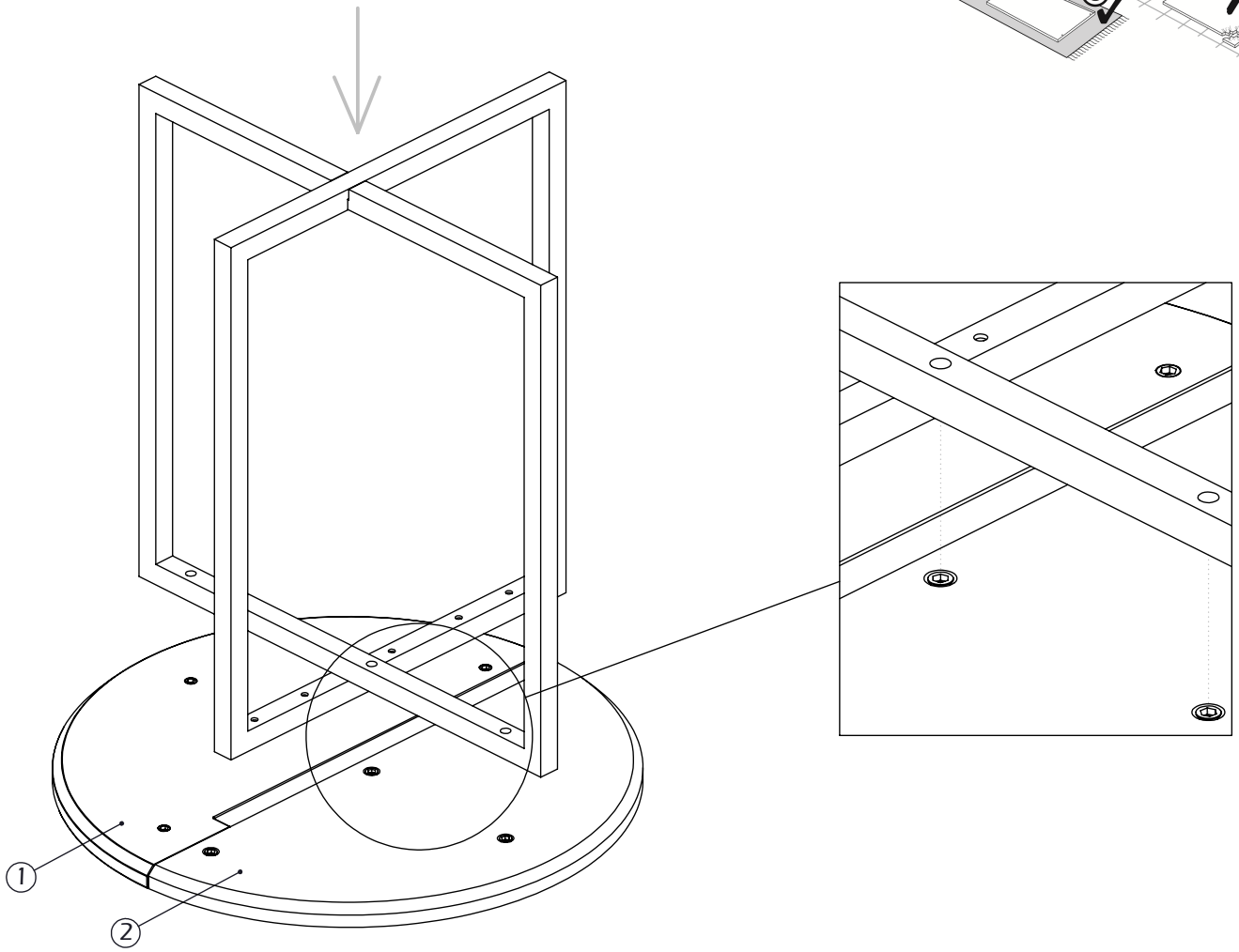
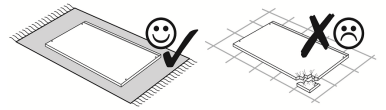
1



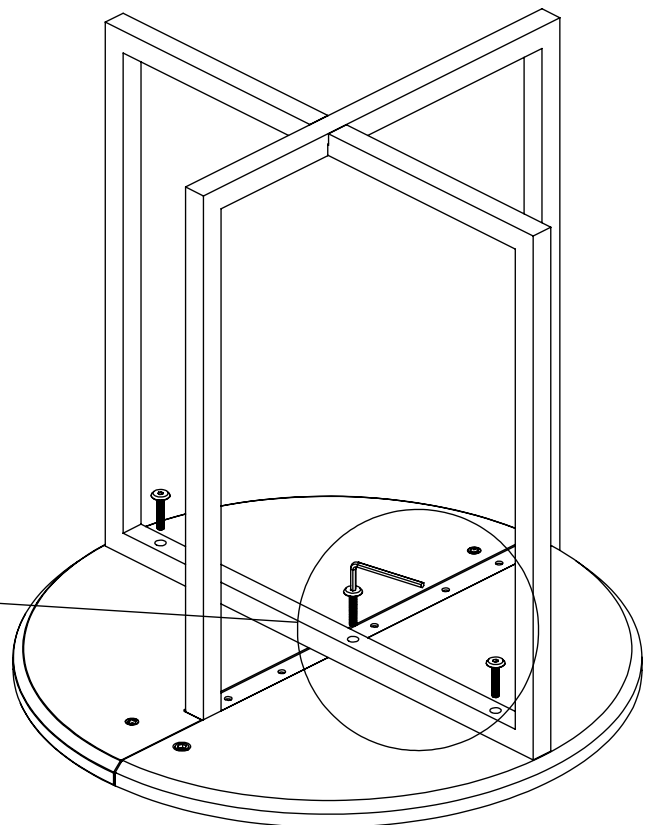
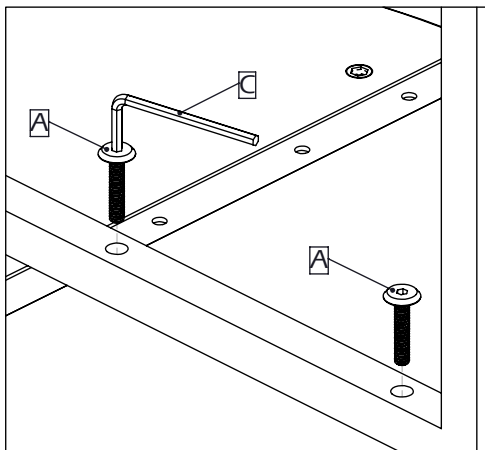
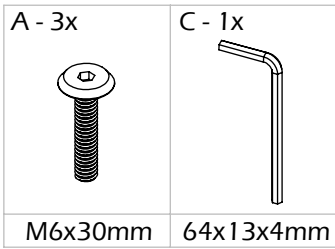
2



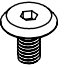
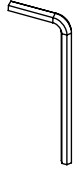
3

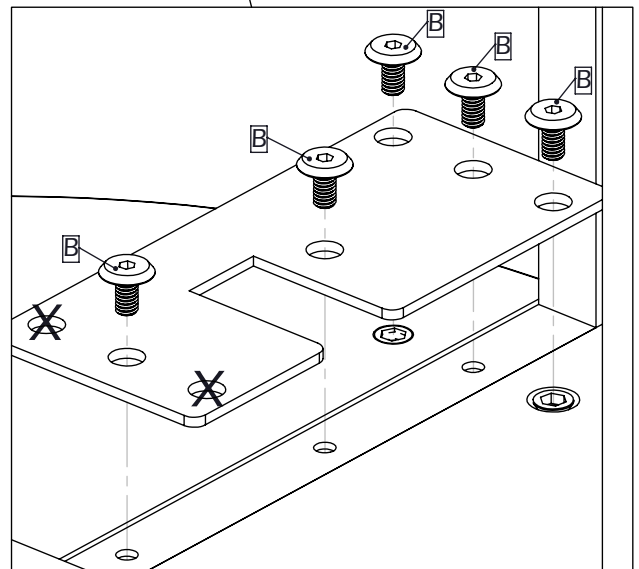
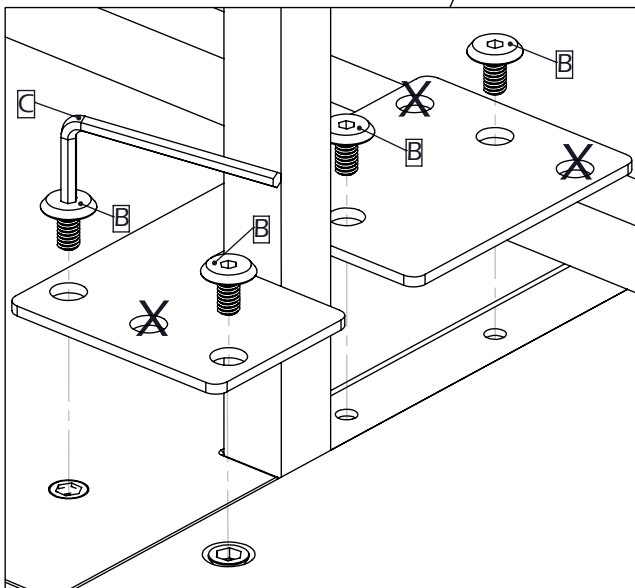
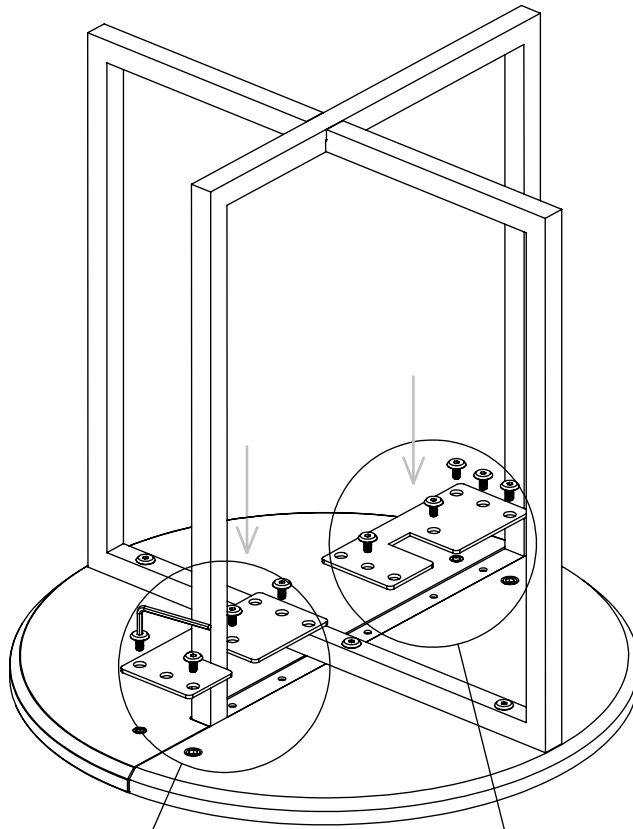
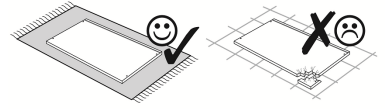


4



5

B - 9x	C - 1x
	
M6x12mm	64x13x4mm

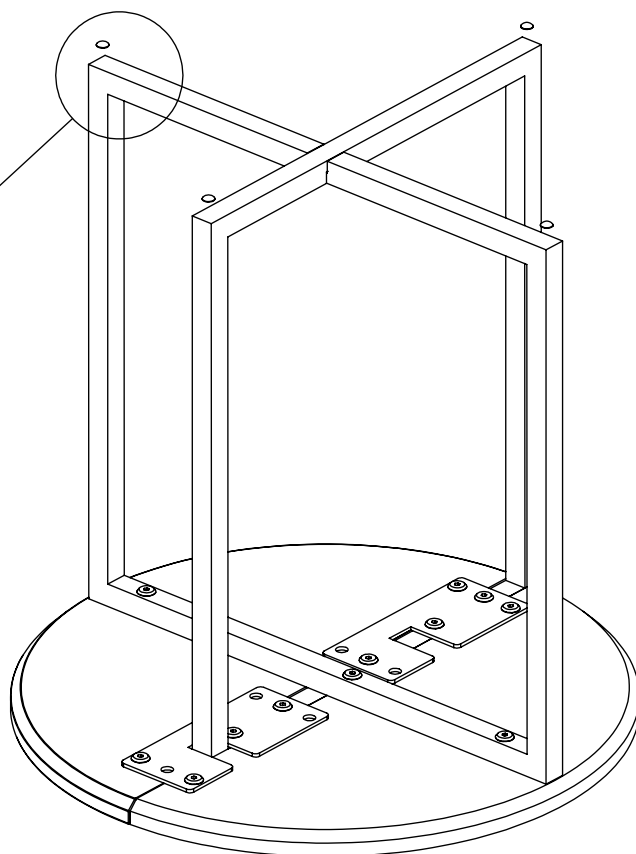
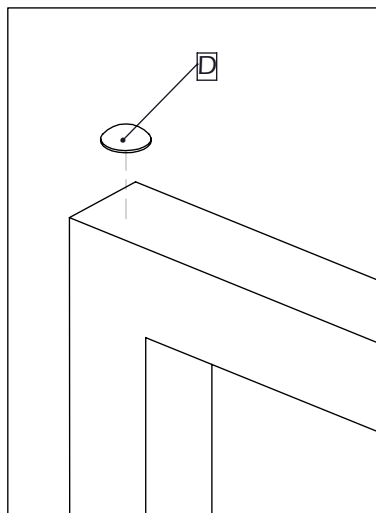
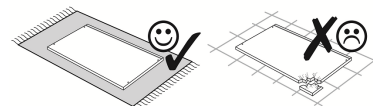


6

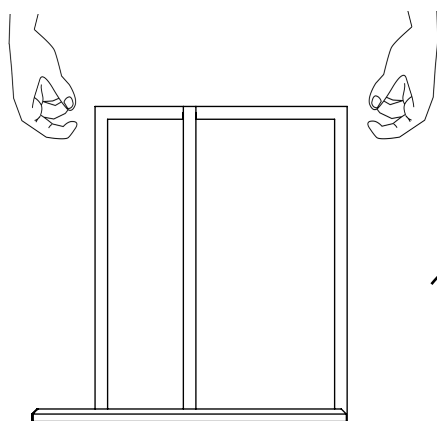
D - 4x



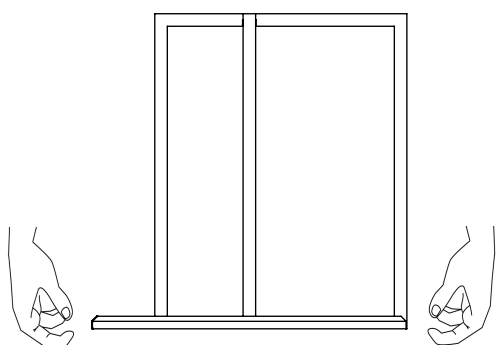
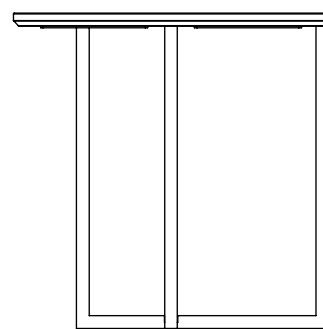
Ø10x2,5mm



7



180°



180°

