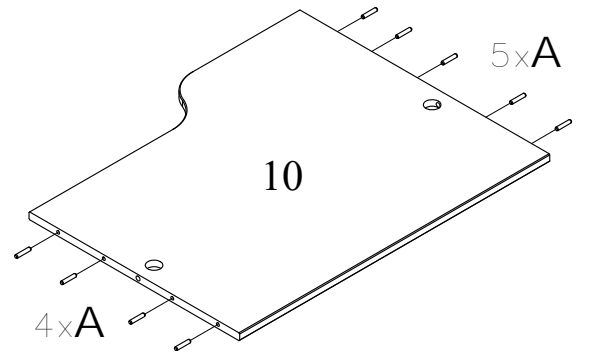
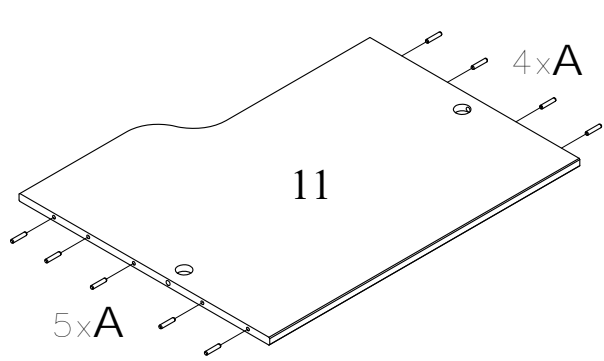
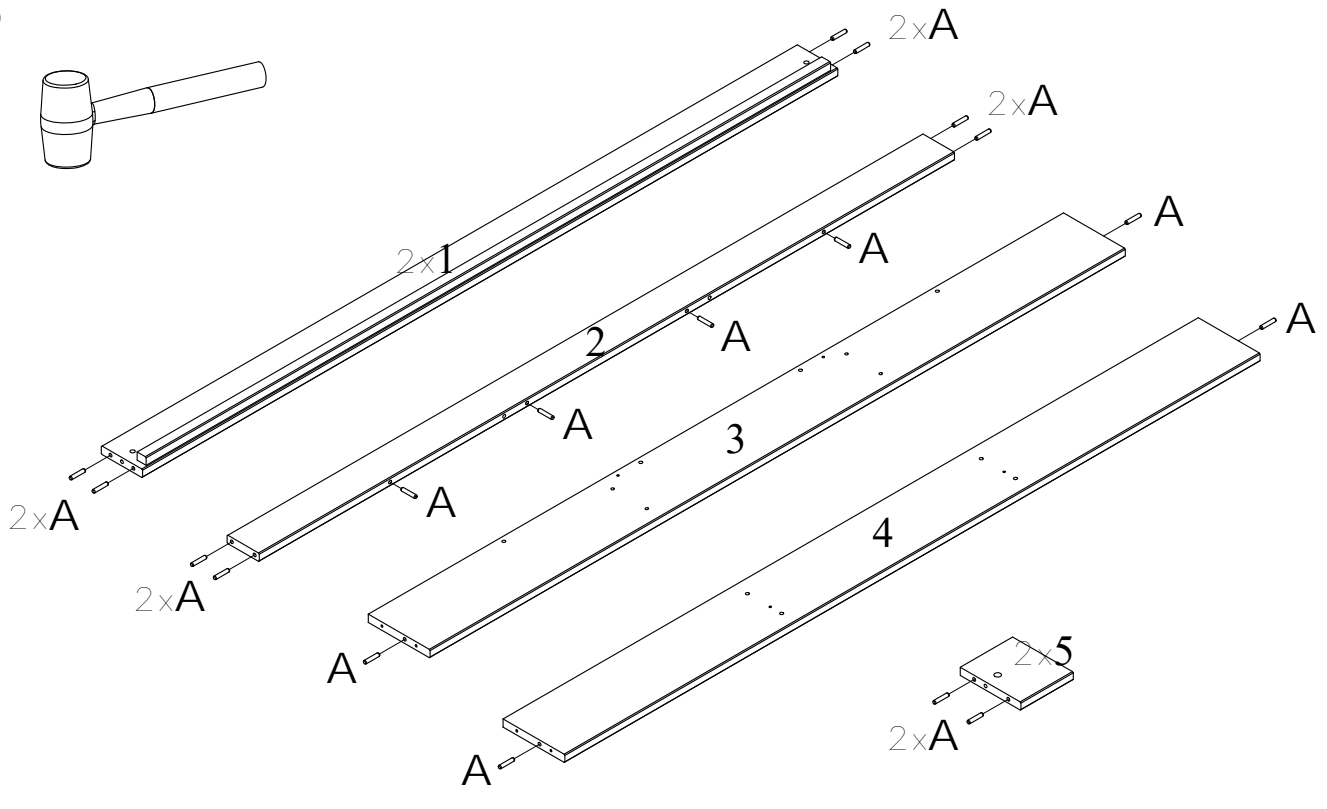



A		8x40	x42
B		7x50	x4
C		7x60	x12
D		D35	x4
E		7x34	x4
F		D15x12	x4
G		M6x60	x4

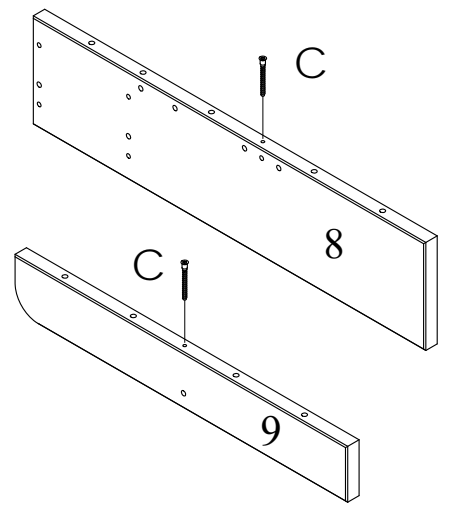
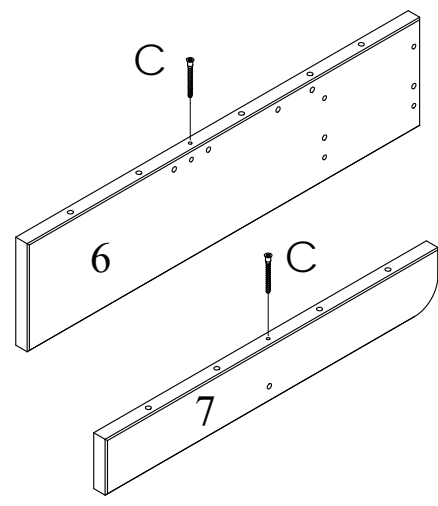
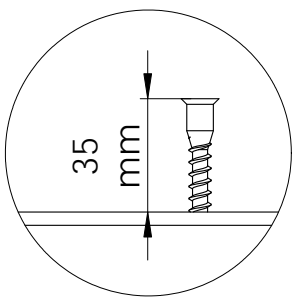
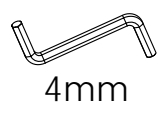
H		M6x10x13	x4
J		1,6x16	x25
K		3,5x40	x6
L		D4x13	x8
M		D15x18	x4
N		4mm	x1

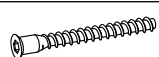
①



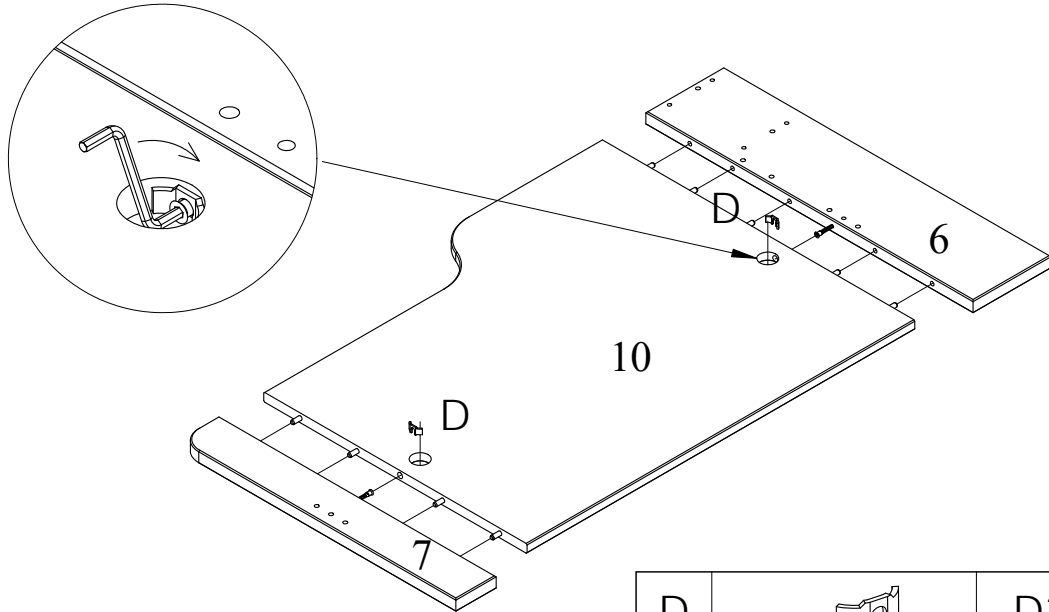
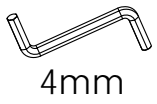
A		8x40	x42
---	---	------	-----

②



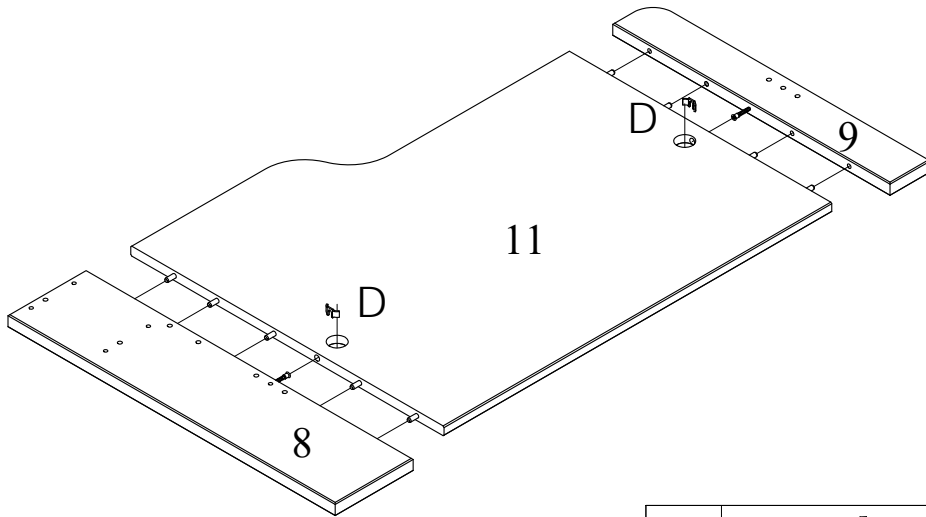
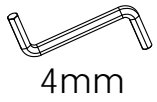
C		7x60	x4
---	---	------	----


③



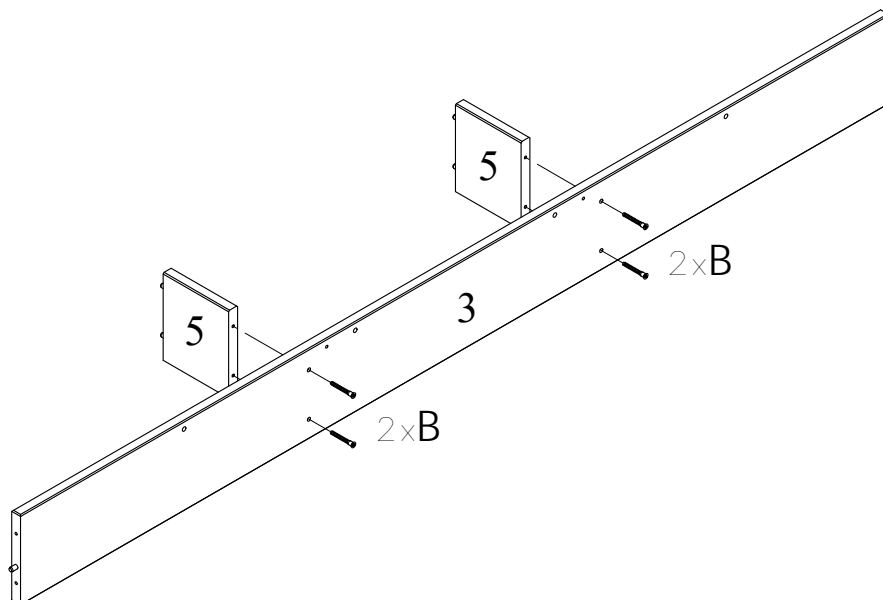
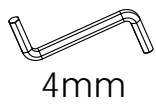
D		D35	x2
---	---	-----	----


④



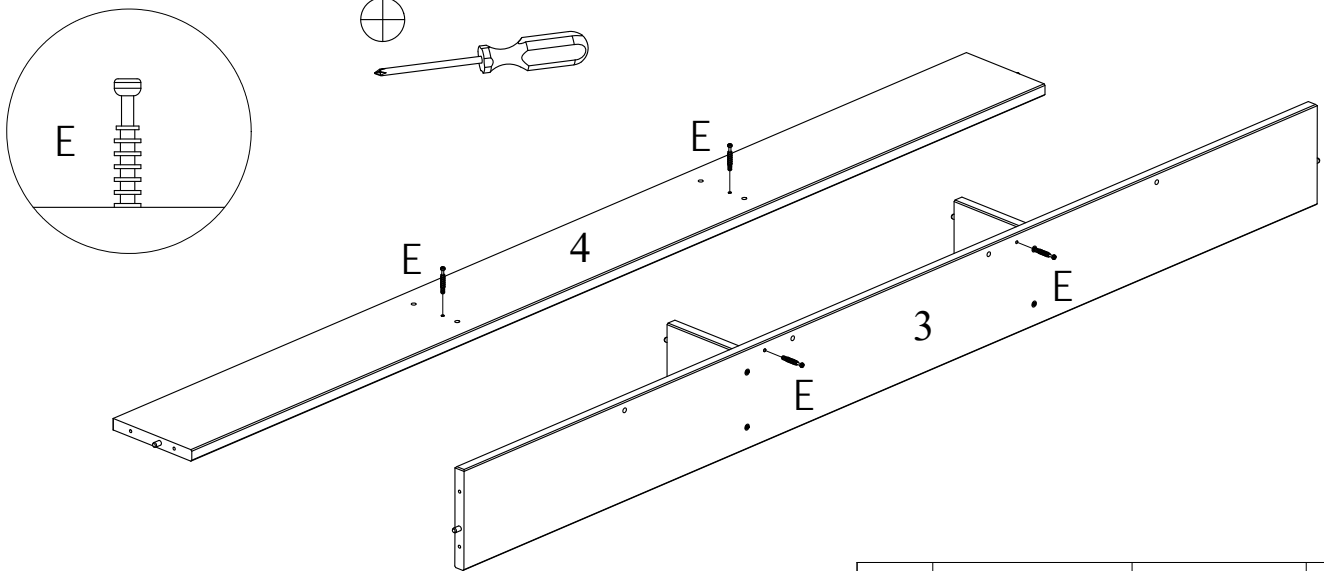
D		D35	x2
---	---	-----	----

⑤



B		7x50	x4
---	---	------	----

6



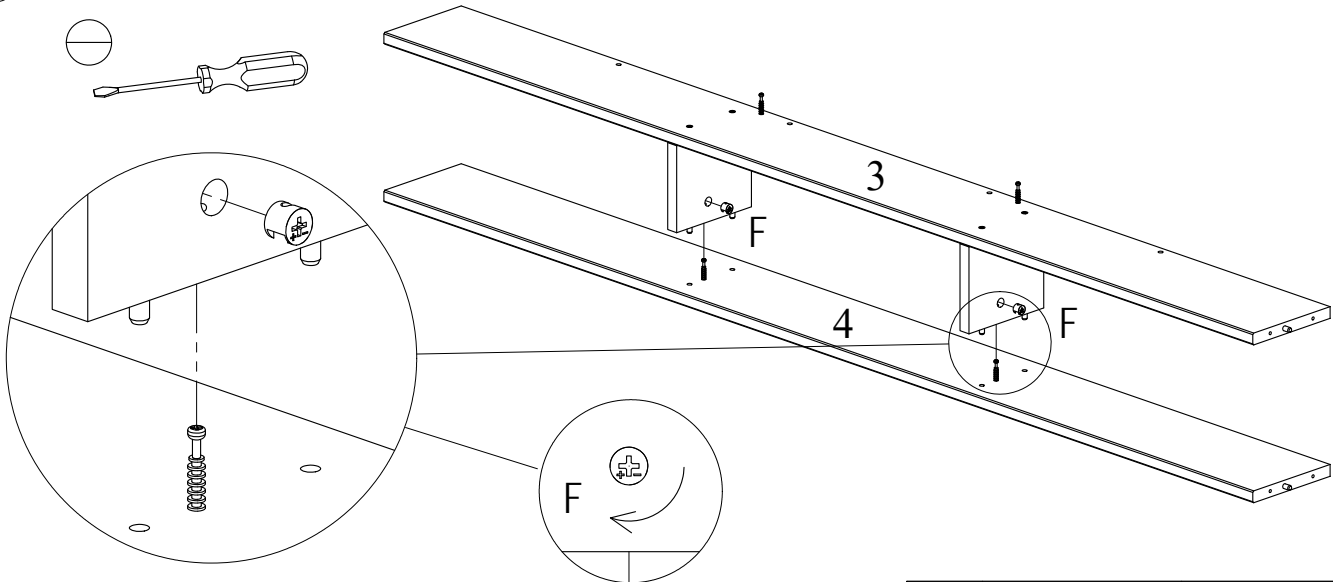
E



7x34

x4

7



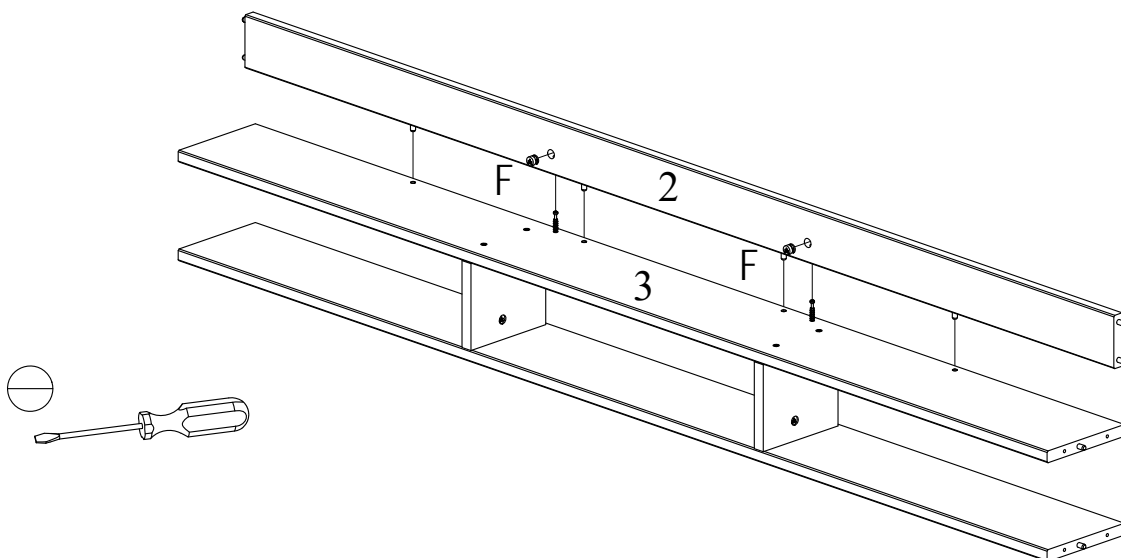
F



D15x12

x2

8



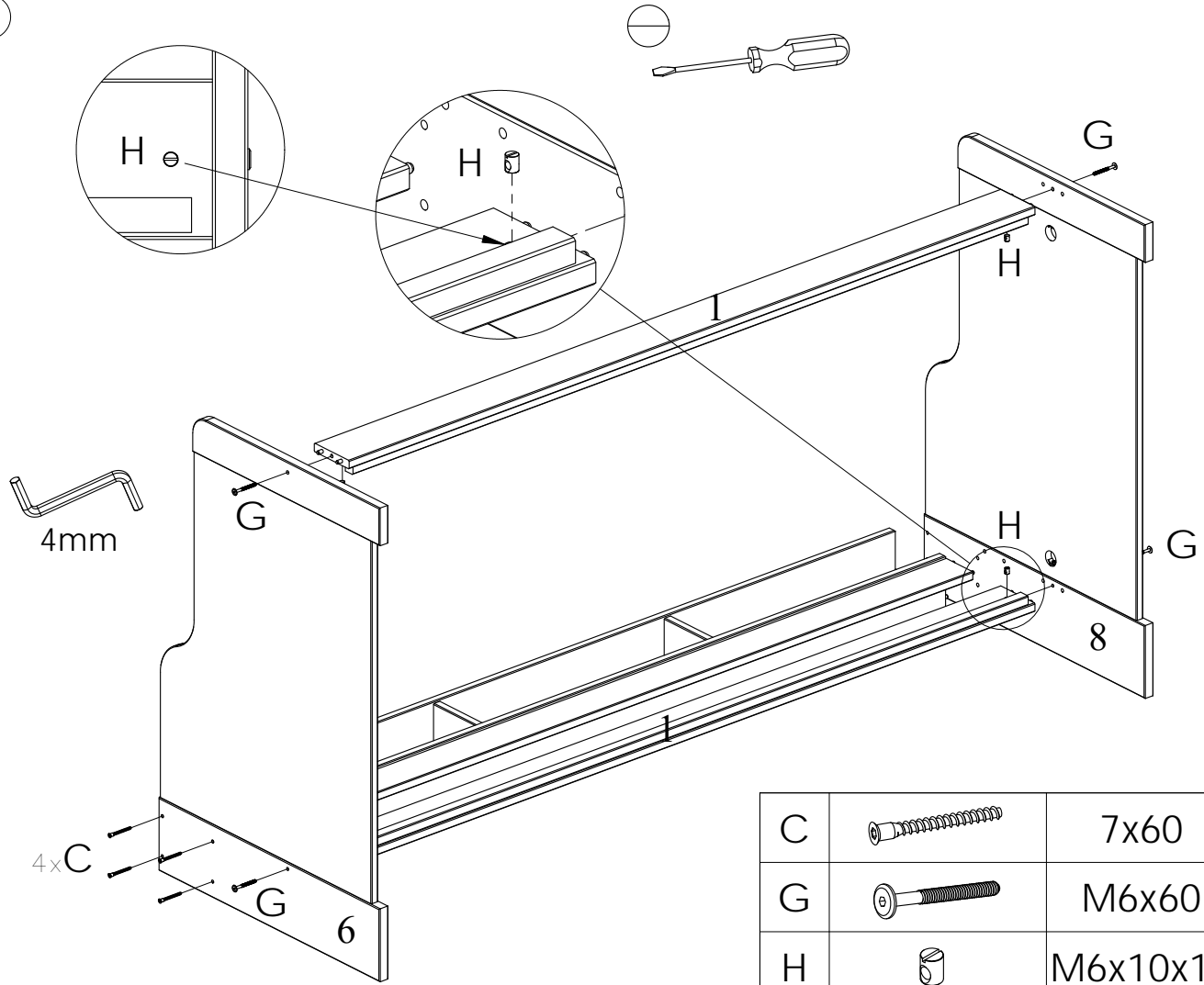
F






D15x12

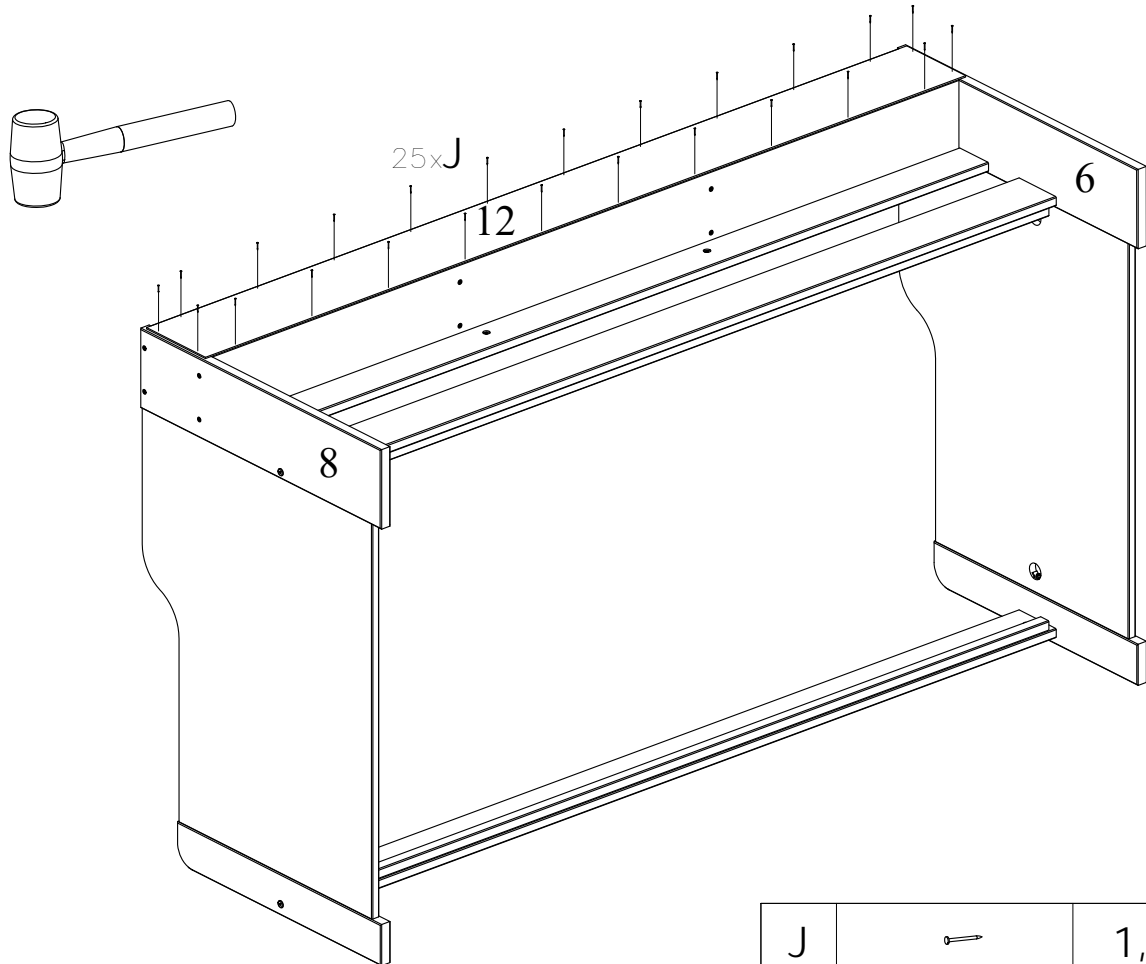
x2


9



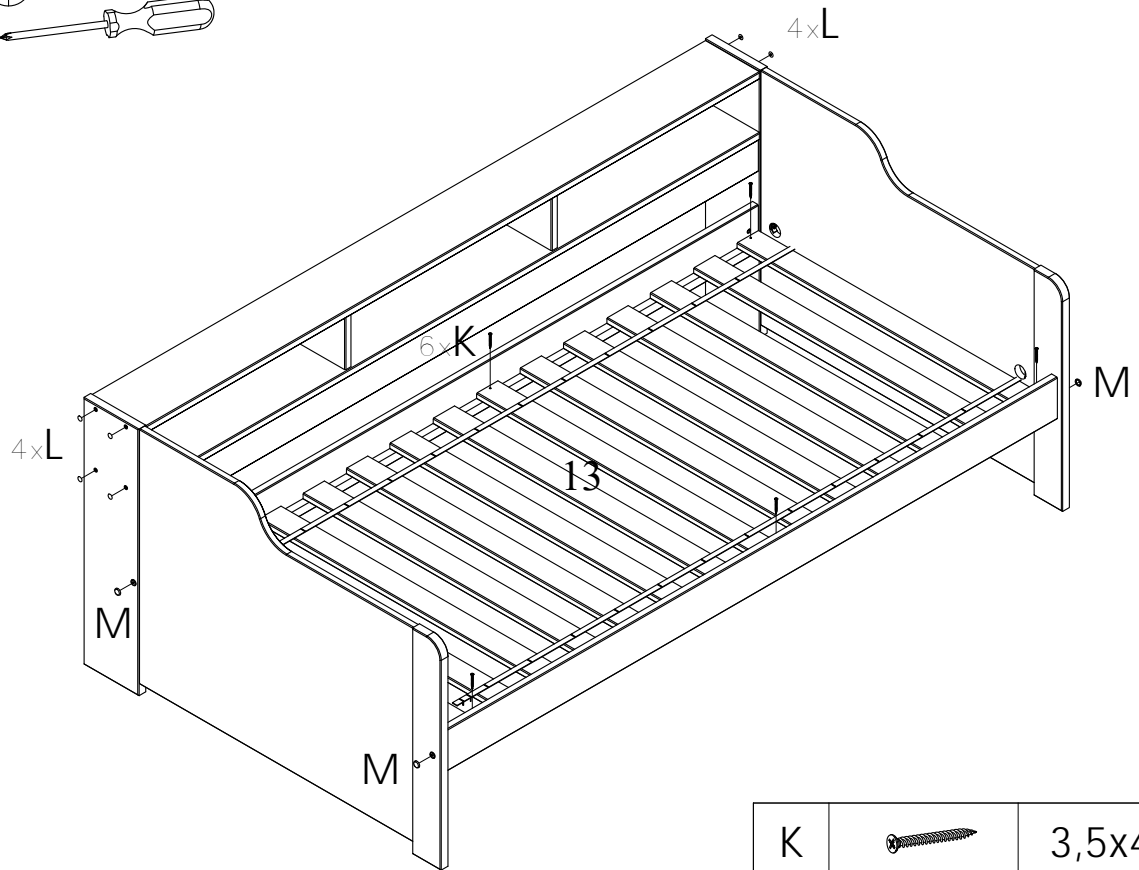
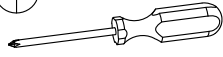
C		7x60	x8
G		M6x60	x4
H		M6x10x13	x4




10

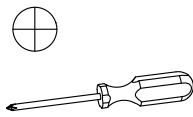
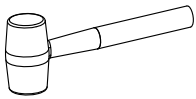
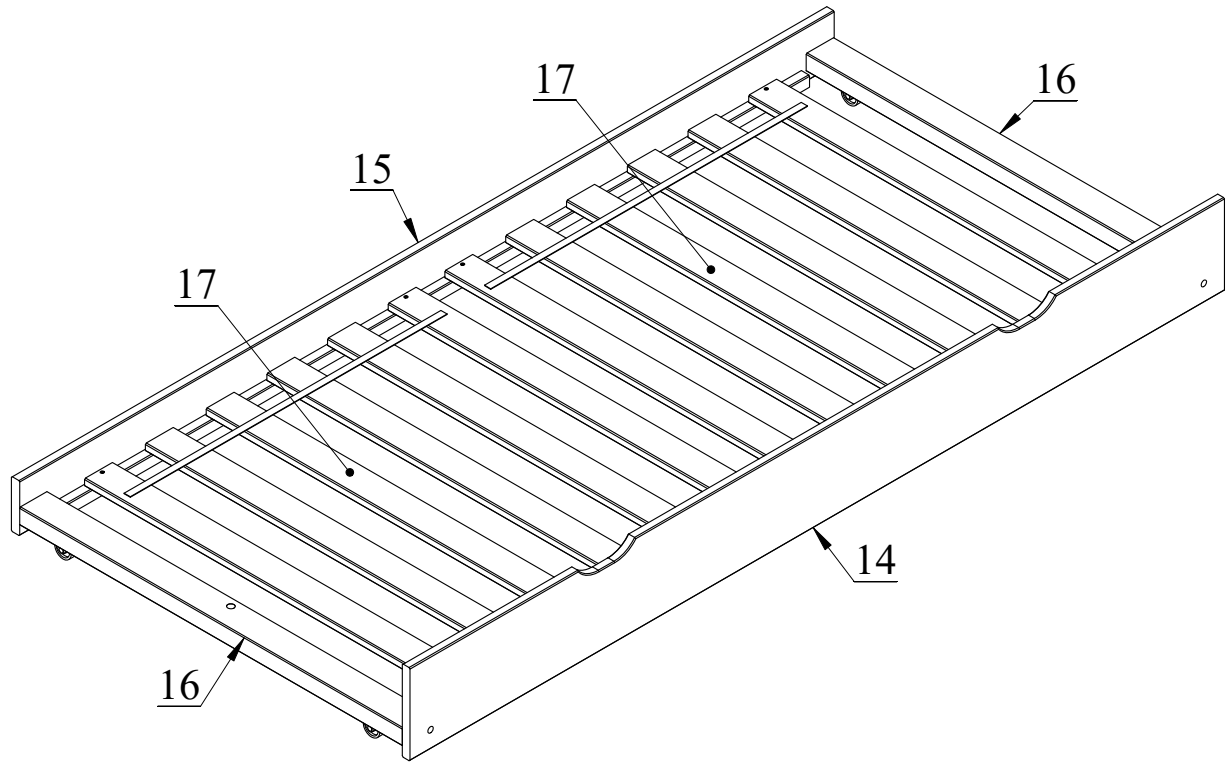
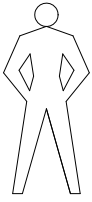


J		1,6x16	x25
---	---	--------	-----

11



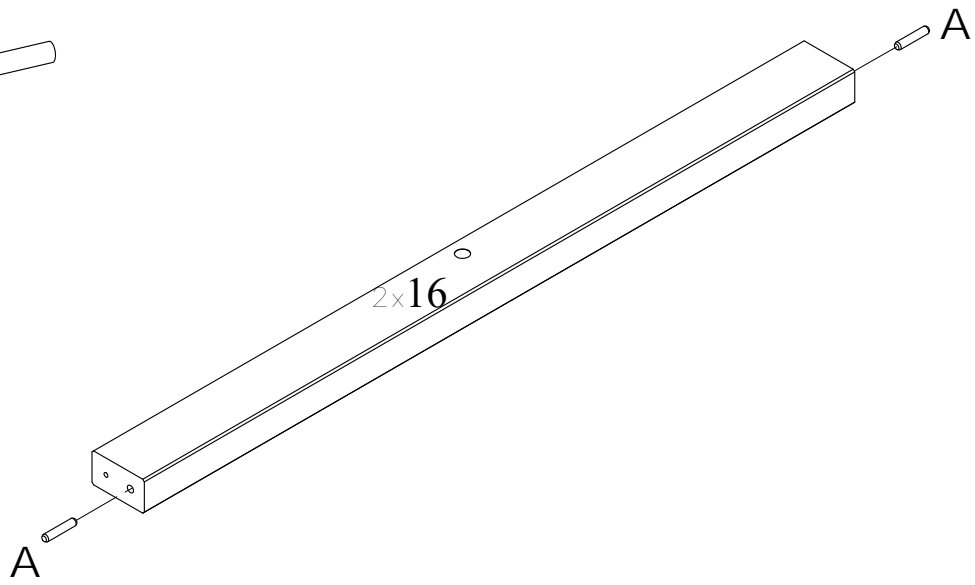
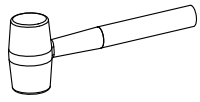
K		3,5x40	x6
L		D4x13	x8
M		D15x18	x4



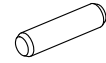
A		8x40	x4
P		D40	x4
R		3,5x16	x8

B		7x50	x4
K		3,5x40	x8
L		D4x13	x4
N		4mm	x1

①



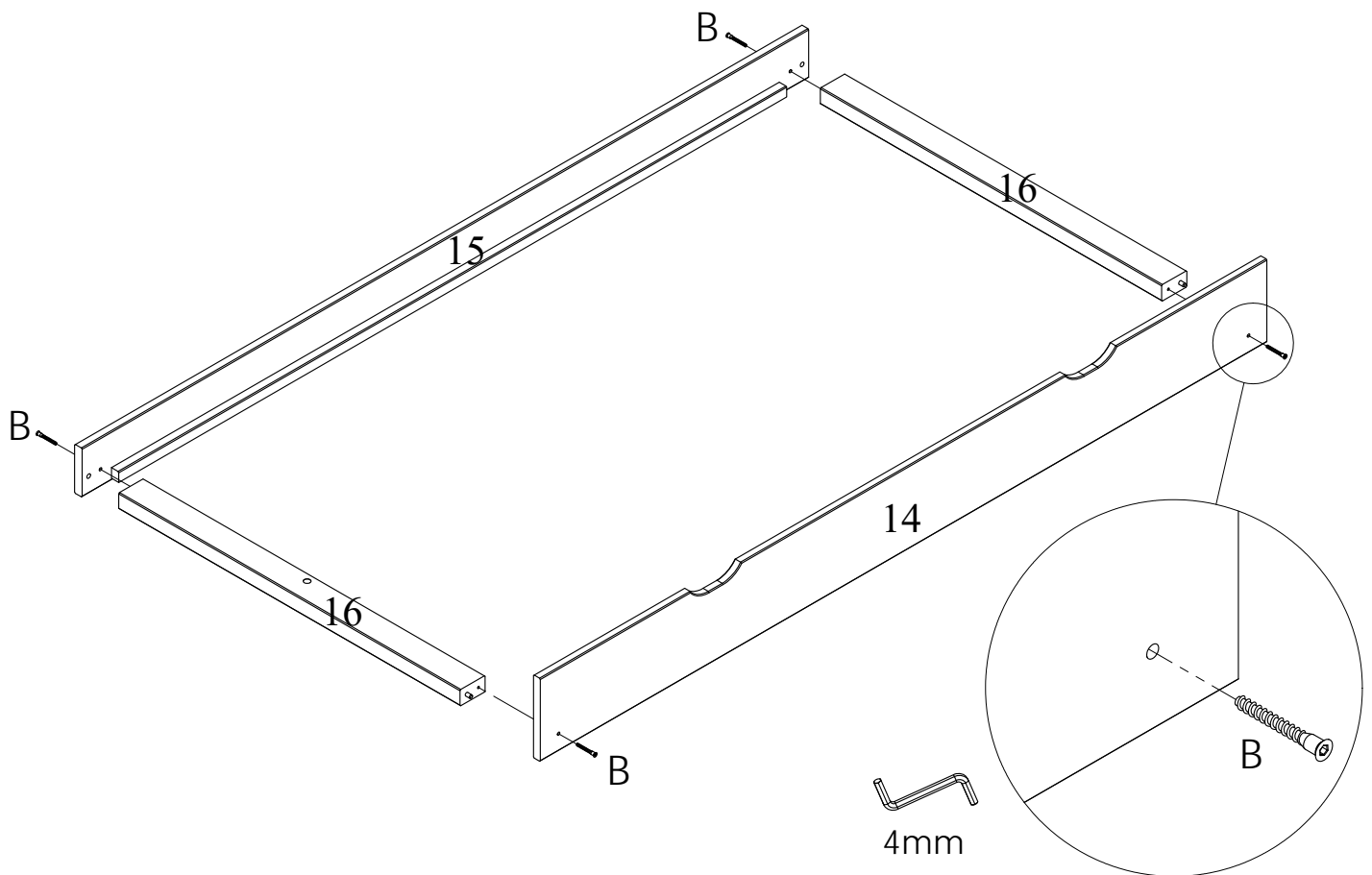
A



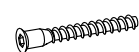
8x40

x4

②



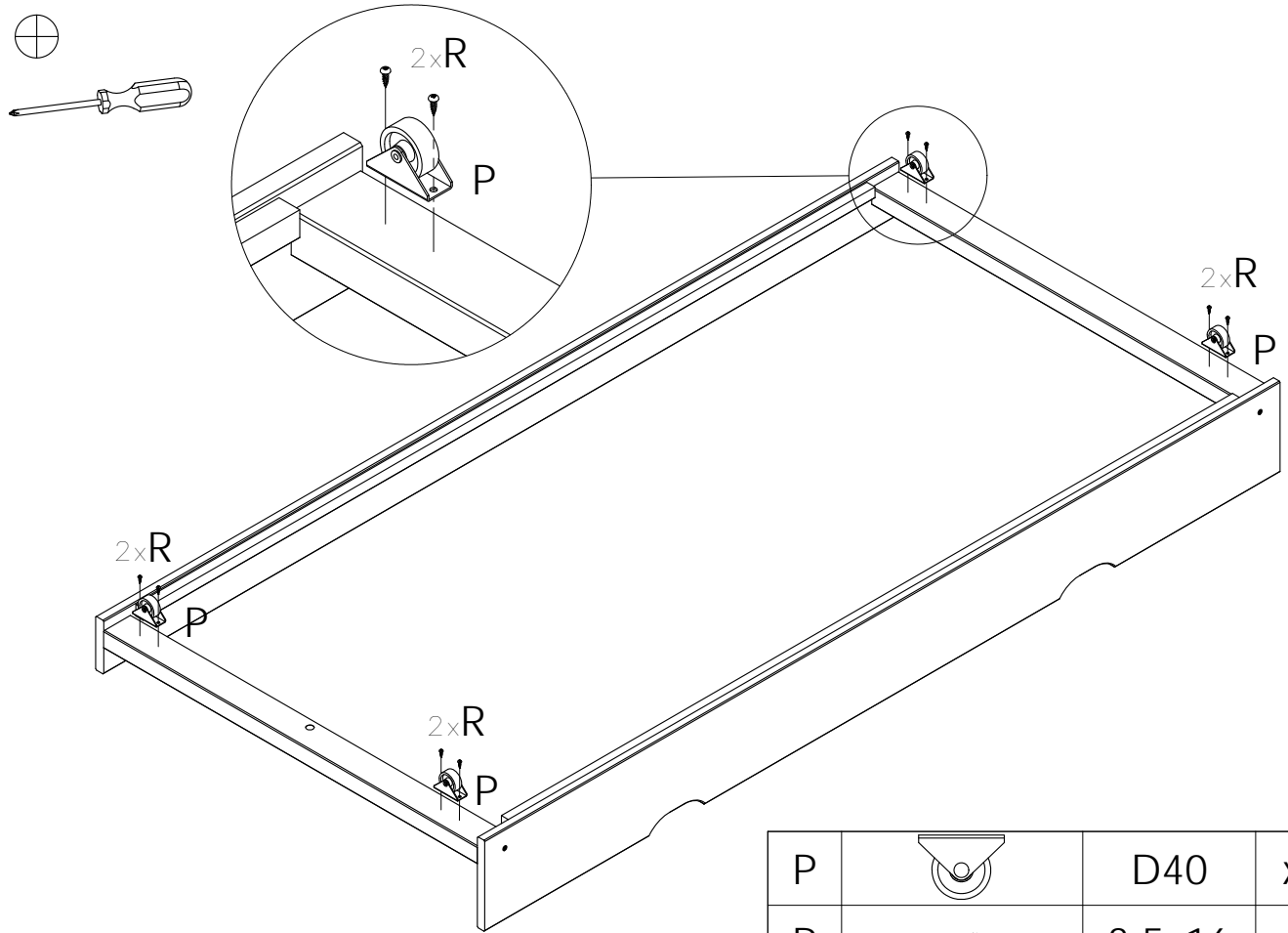
B





7x50

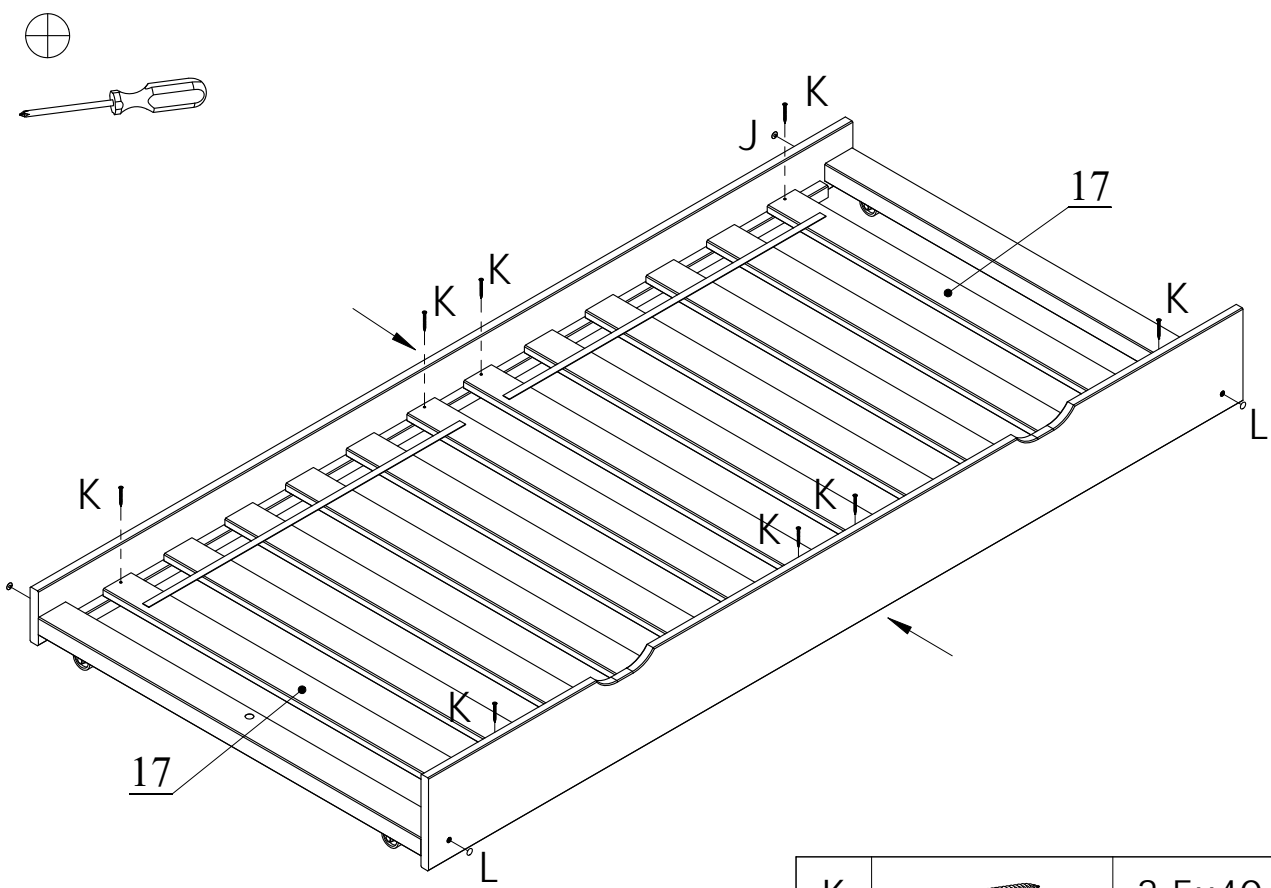
x4



3



P		D40	x4
R		3,5x16	x8

4



K		3,5x40	x8
L		D4x13	x4