

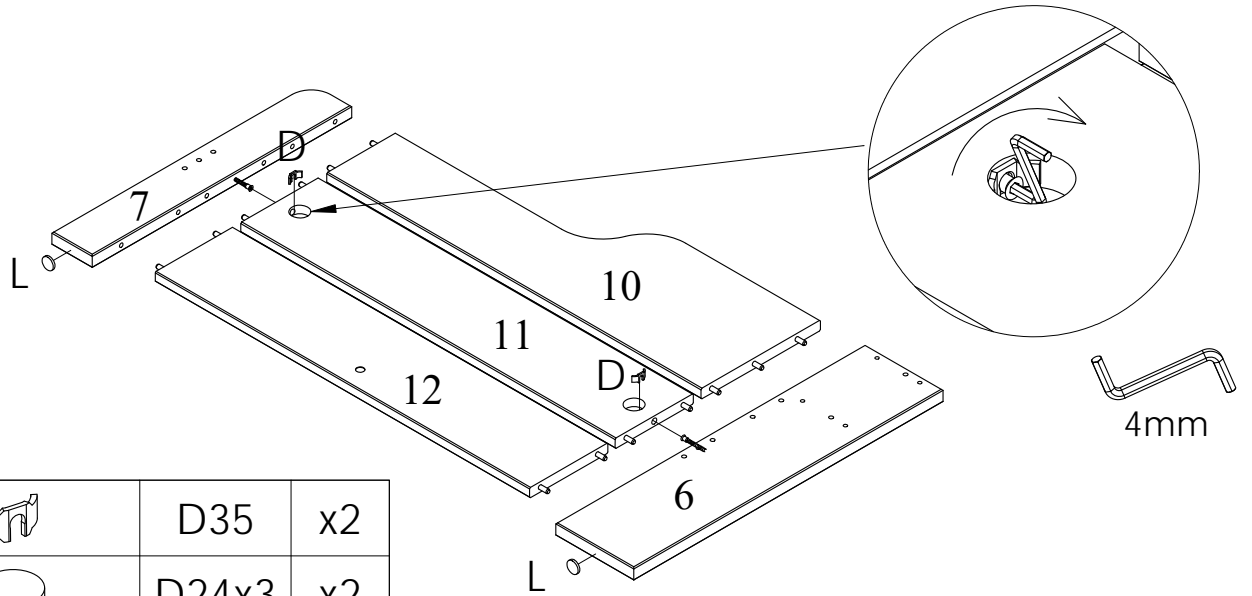
A		8x40	x50
B		7x50	x4
C		7x60	x12
D		D35	x4
E		7x34	x4
F		D15x12	x4



G		M6x60	x4
H		M6x10x13	x4
J		1,6x16	x25
K		3,5x40	x6
L		D24x3	x4
M		4mm	x1

A		8x40	x4
P		D40	x4
R		3,5x16	x8

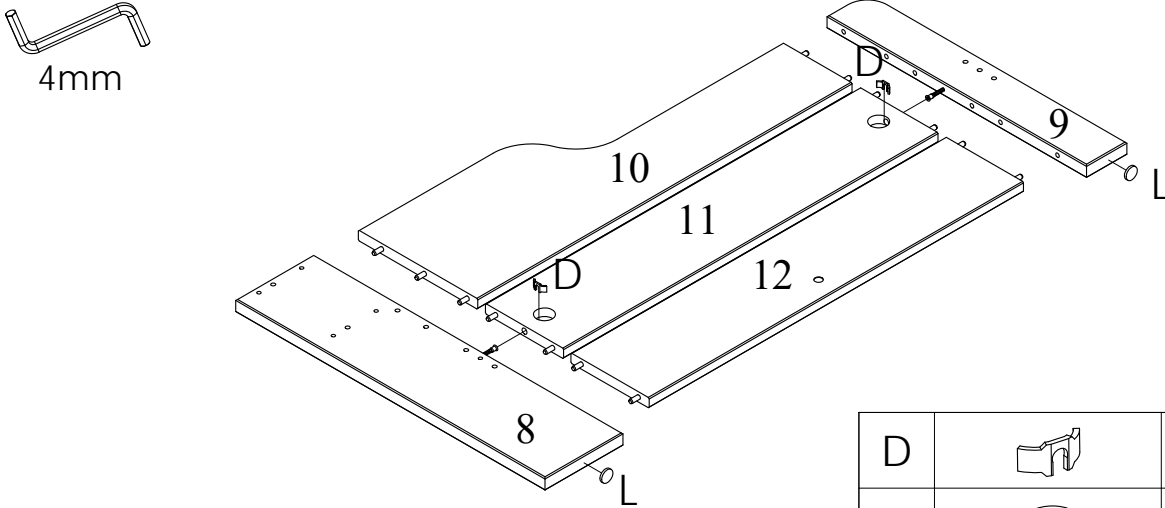
B		7x50	x4
K		3,5x40	x8



3



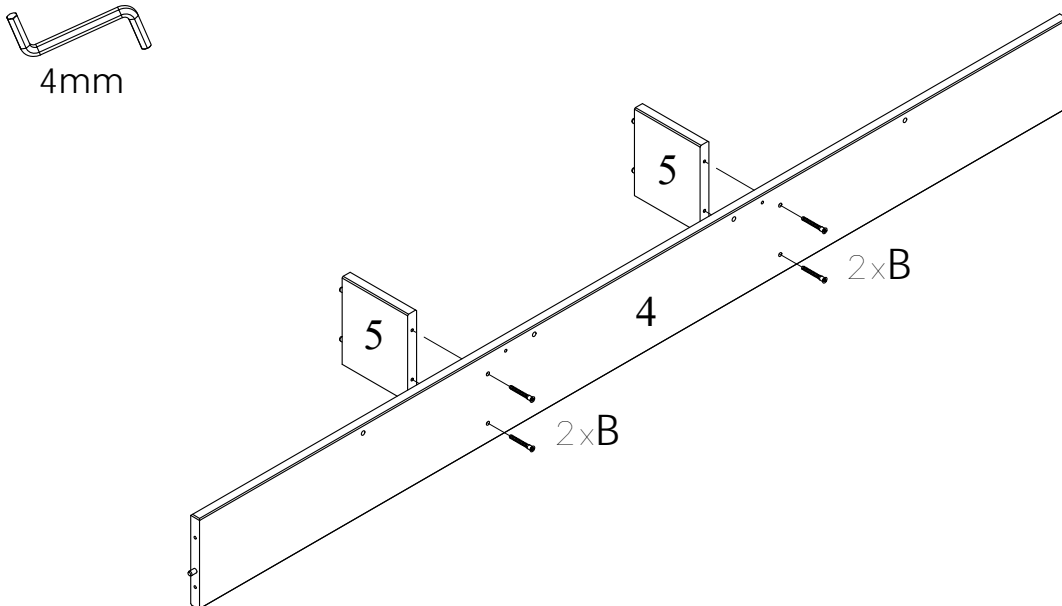
D		D35	x2
L		D24x3	x2


4



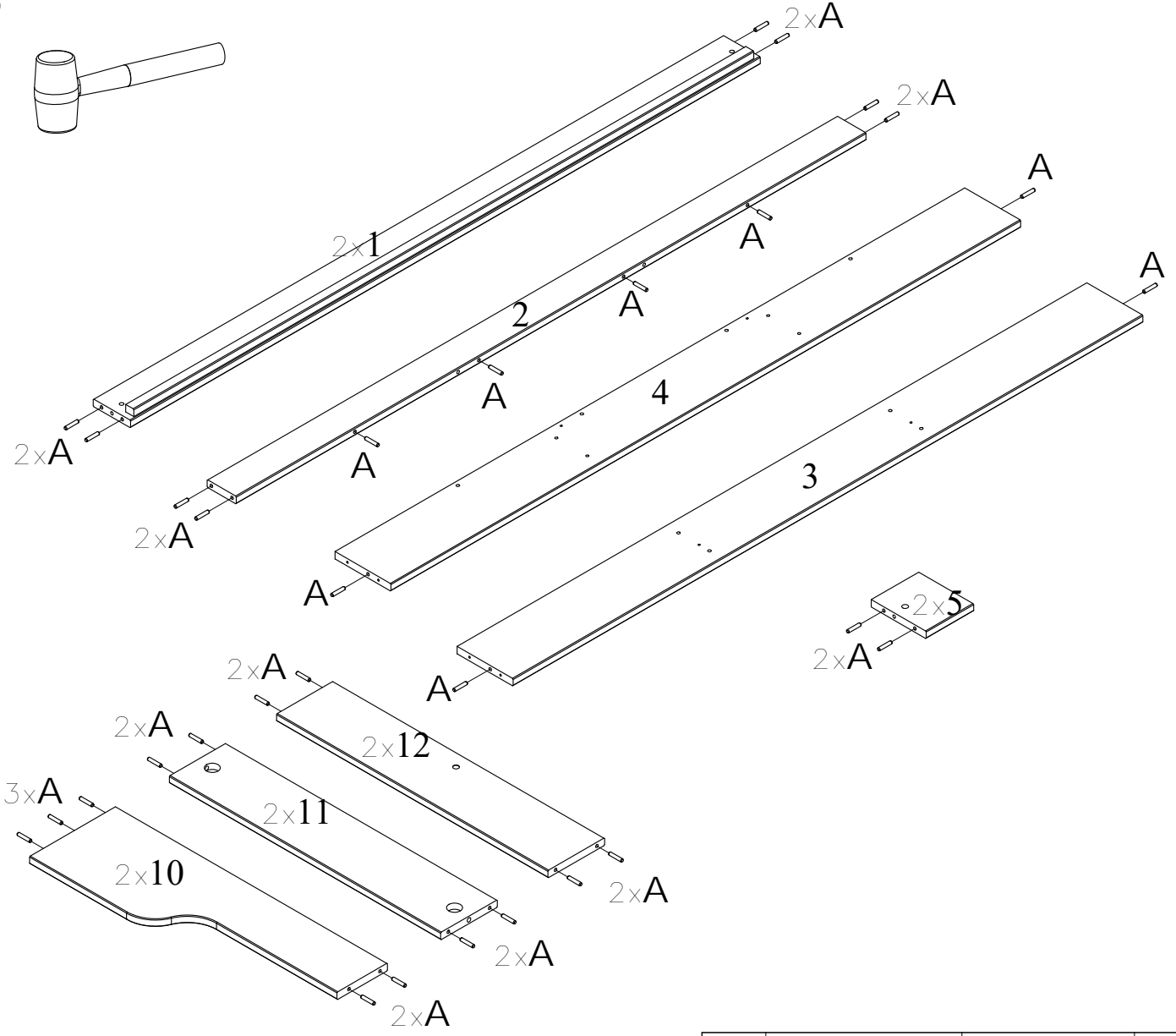
D		D35	x2
L		D24x3	x2

5



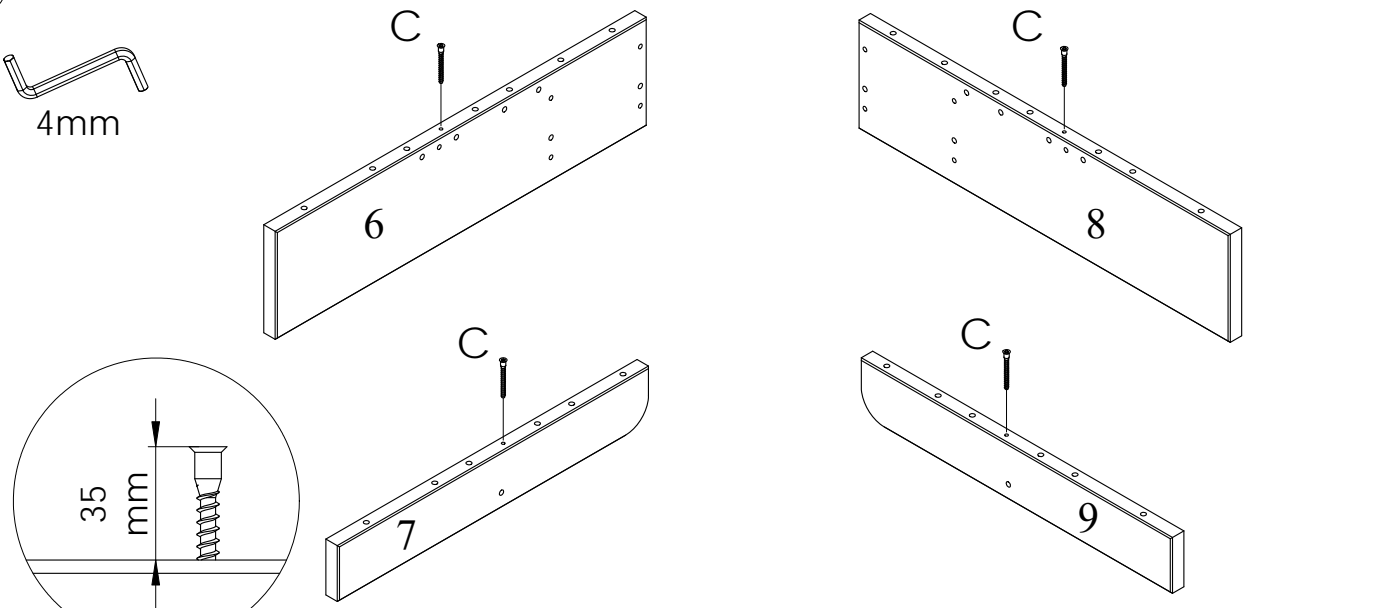
B		7x50	x4
---	---	------	----


①



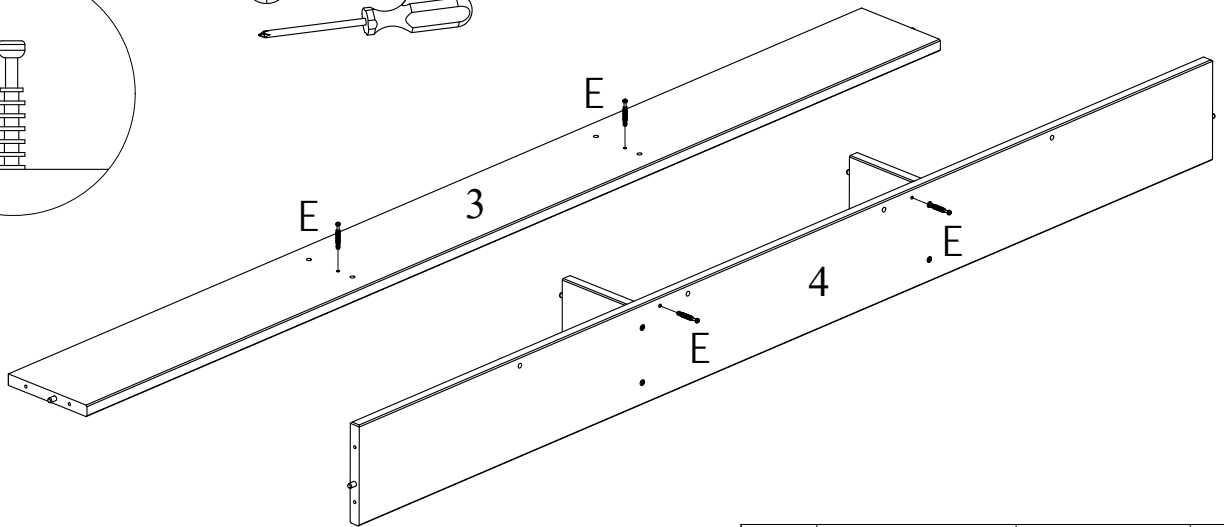
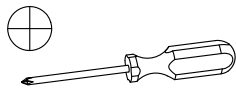
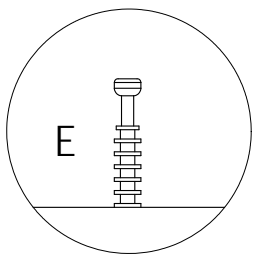
A		8x40	x50
---	---	------	-----

②



C		7x60	x4
---	---	------	----

6



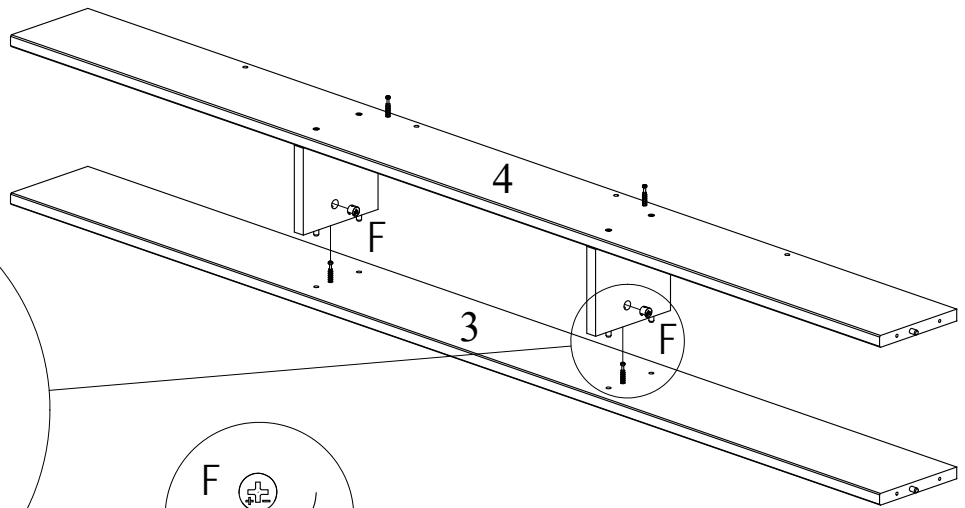
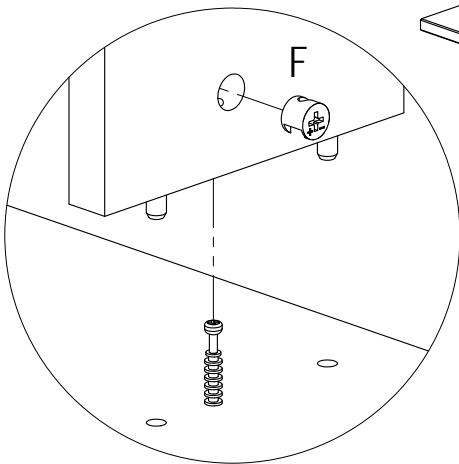
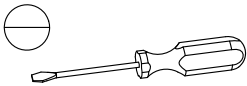
E



7x34

x4

7



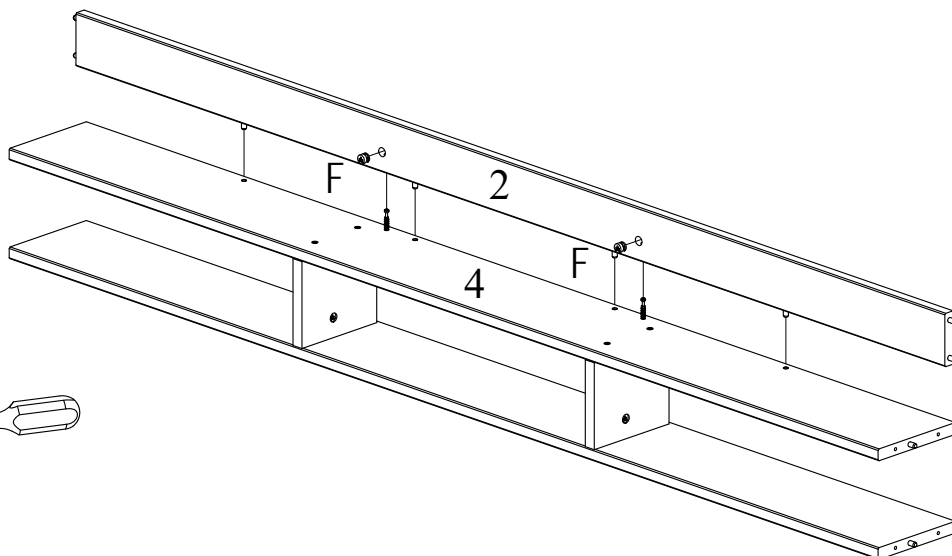
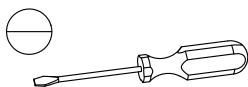
F



D15x12

x2

8



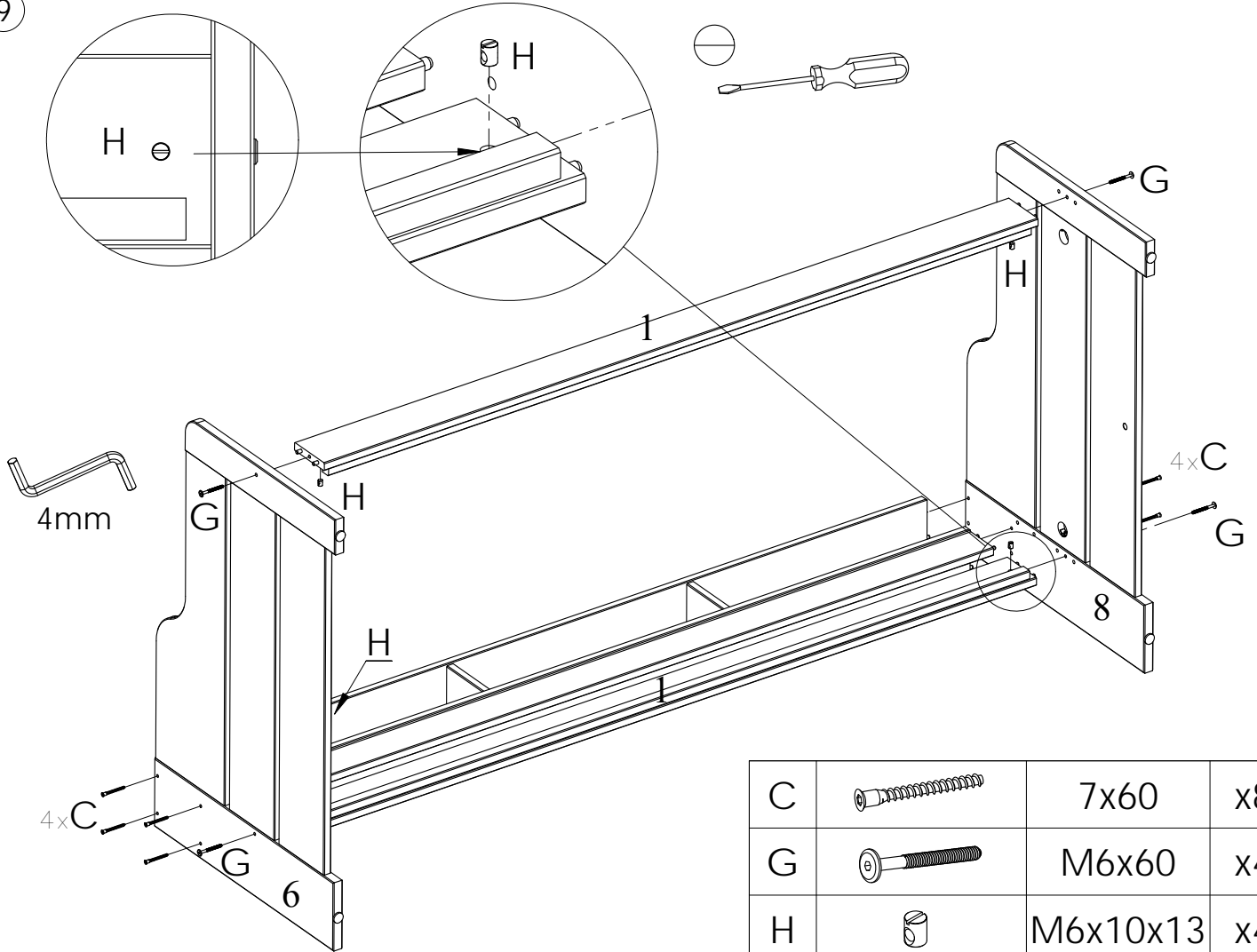
F



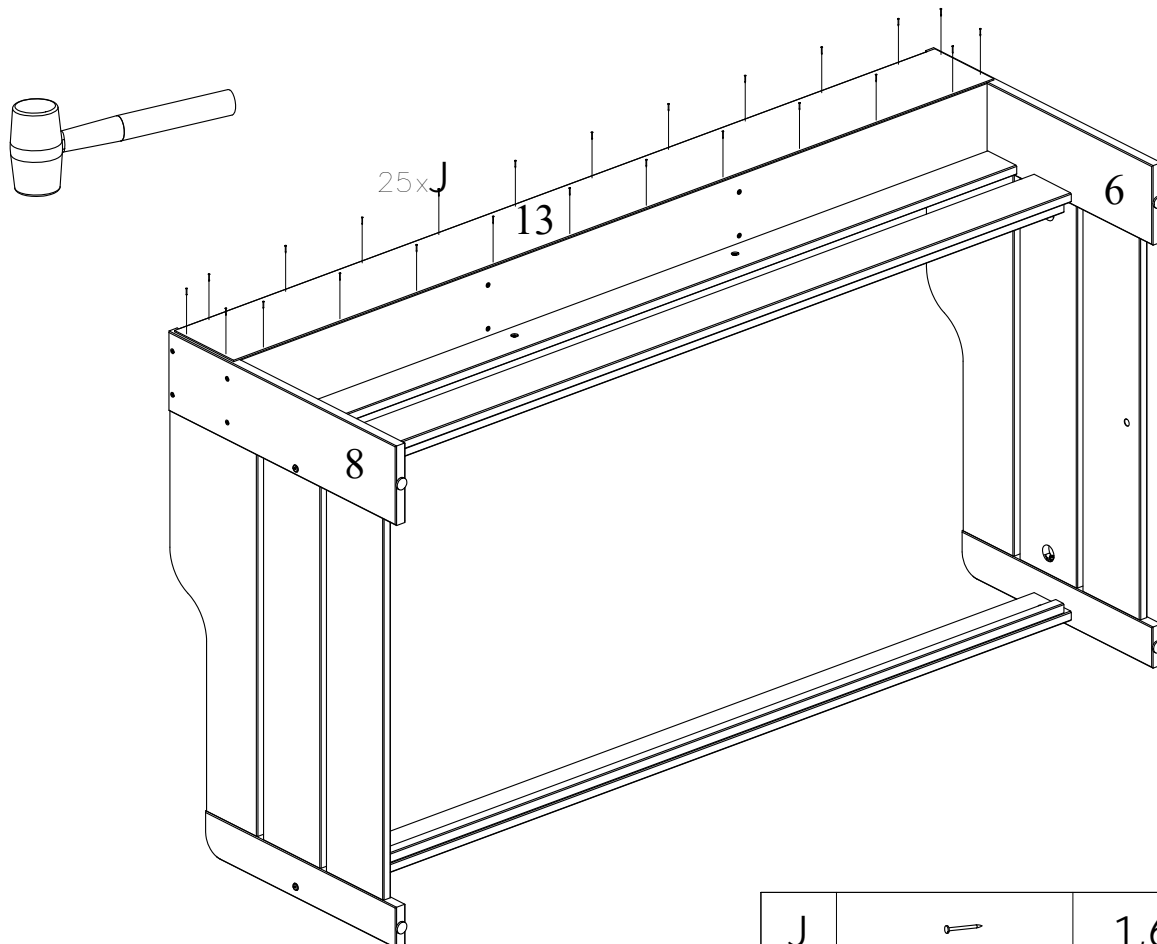
D15x12

x2

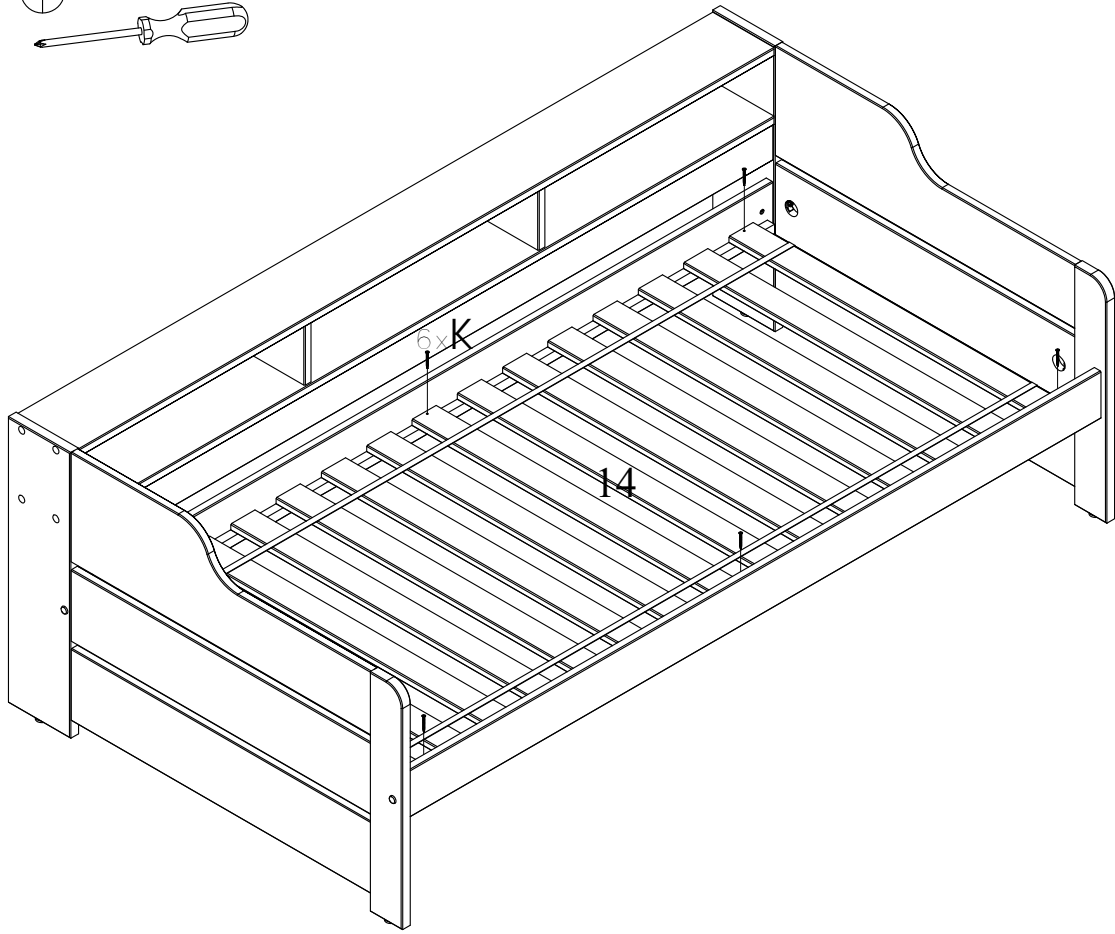
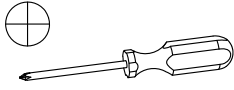
9



10



11



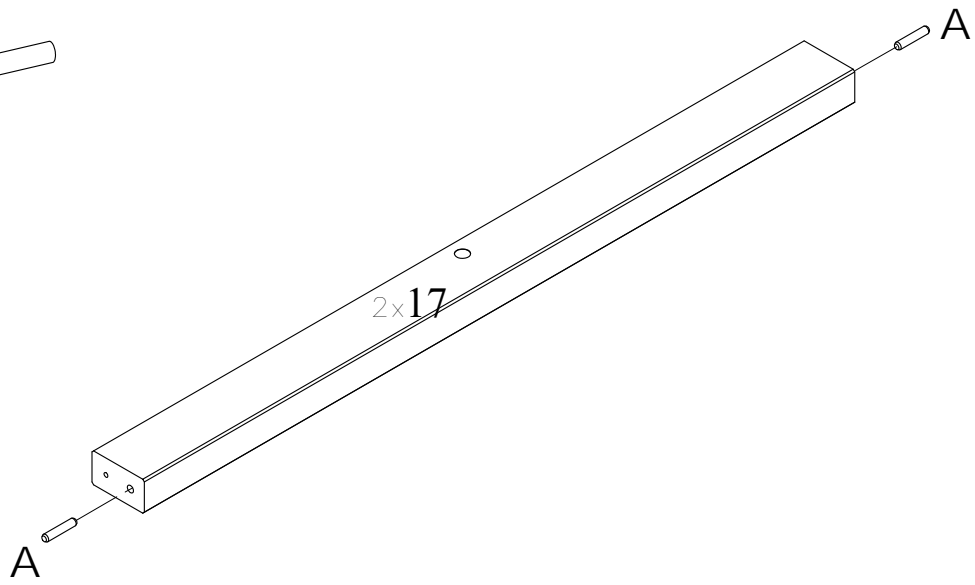
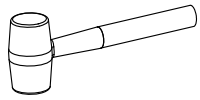
K



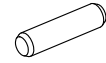
3,5x40

x6

⑫



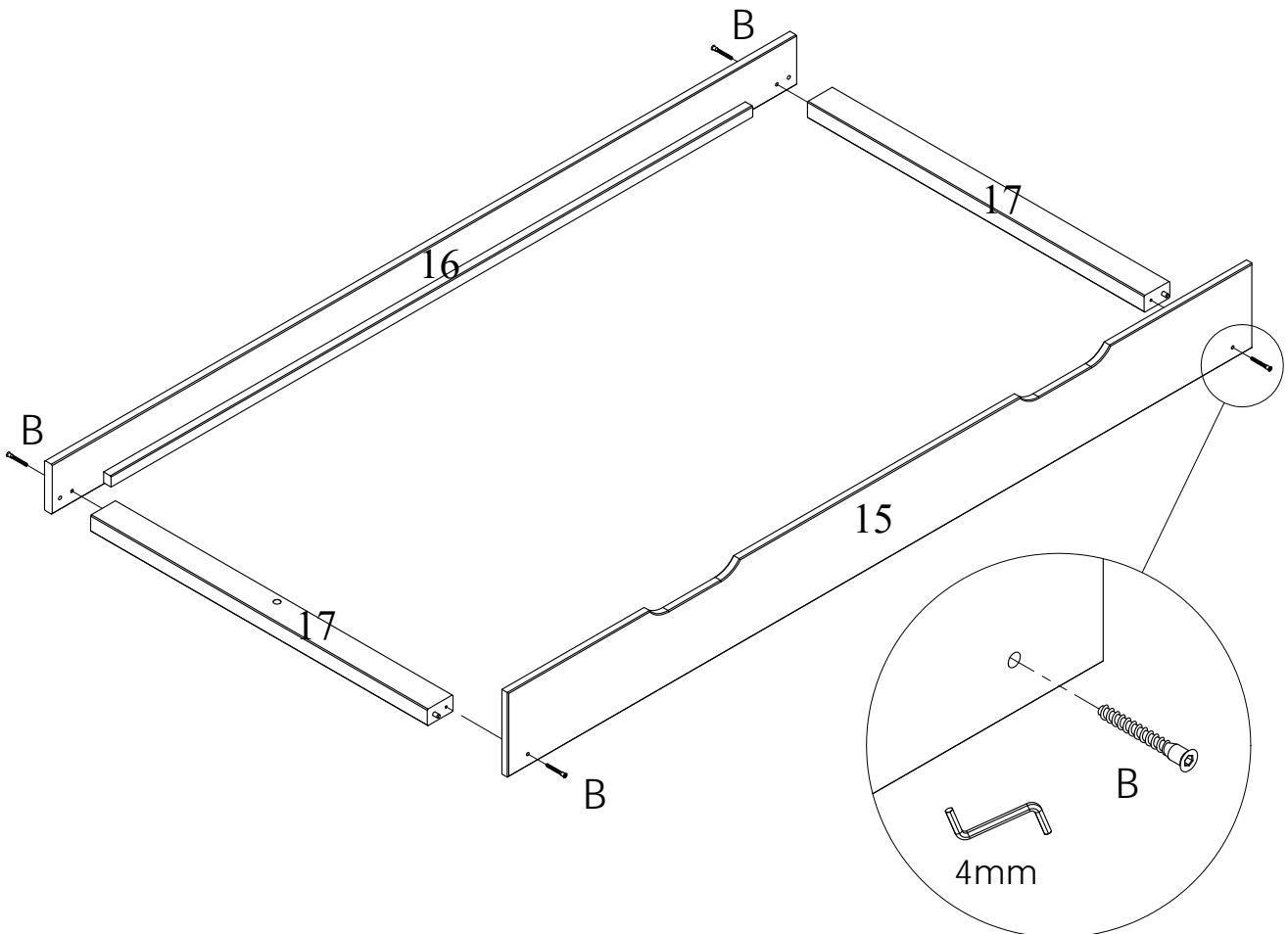
A



8x40

x4

⑬



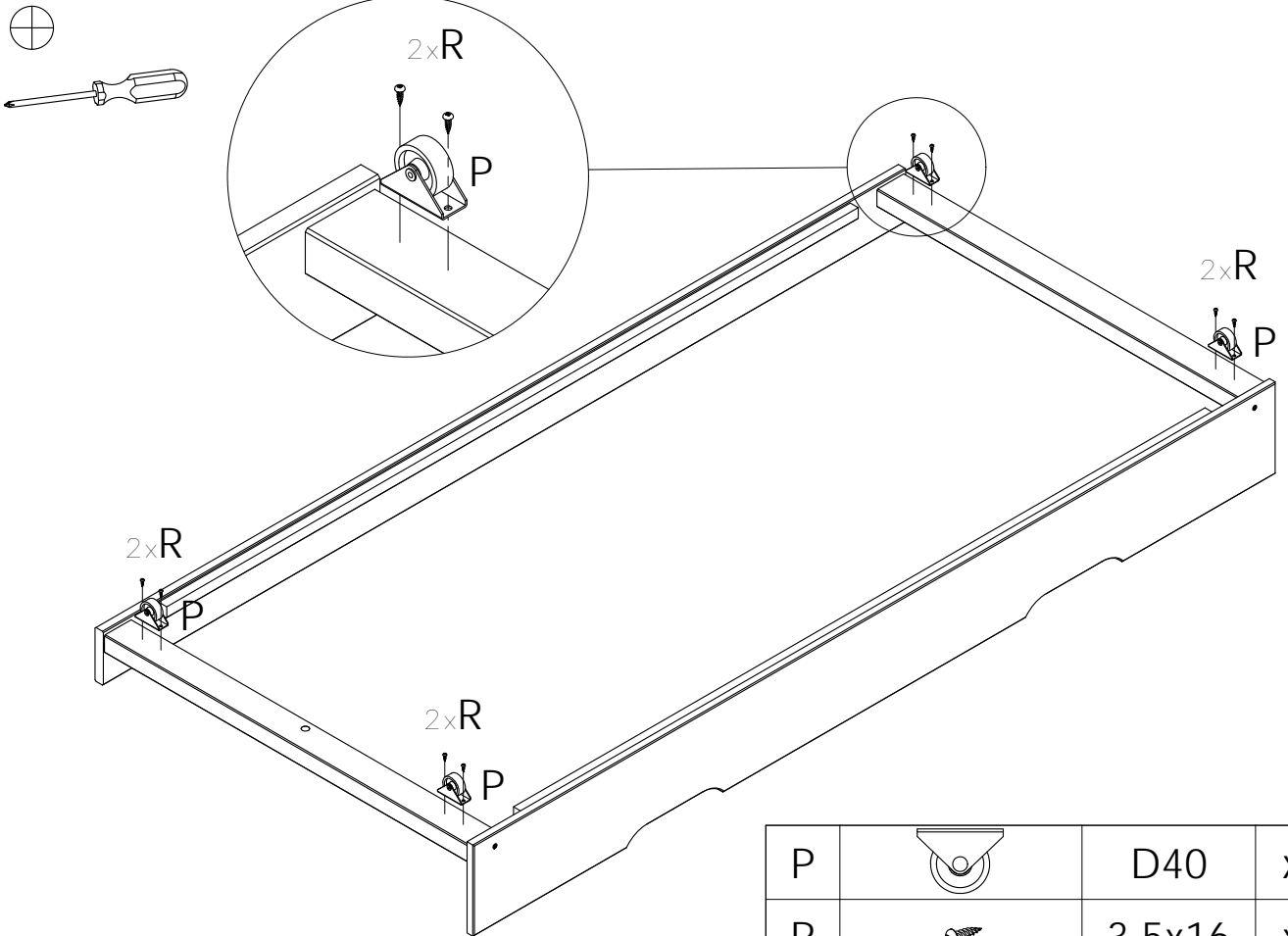
B



7x50

x4

14



15

