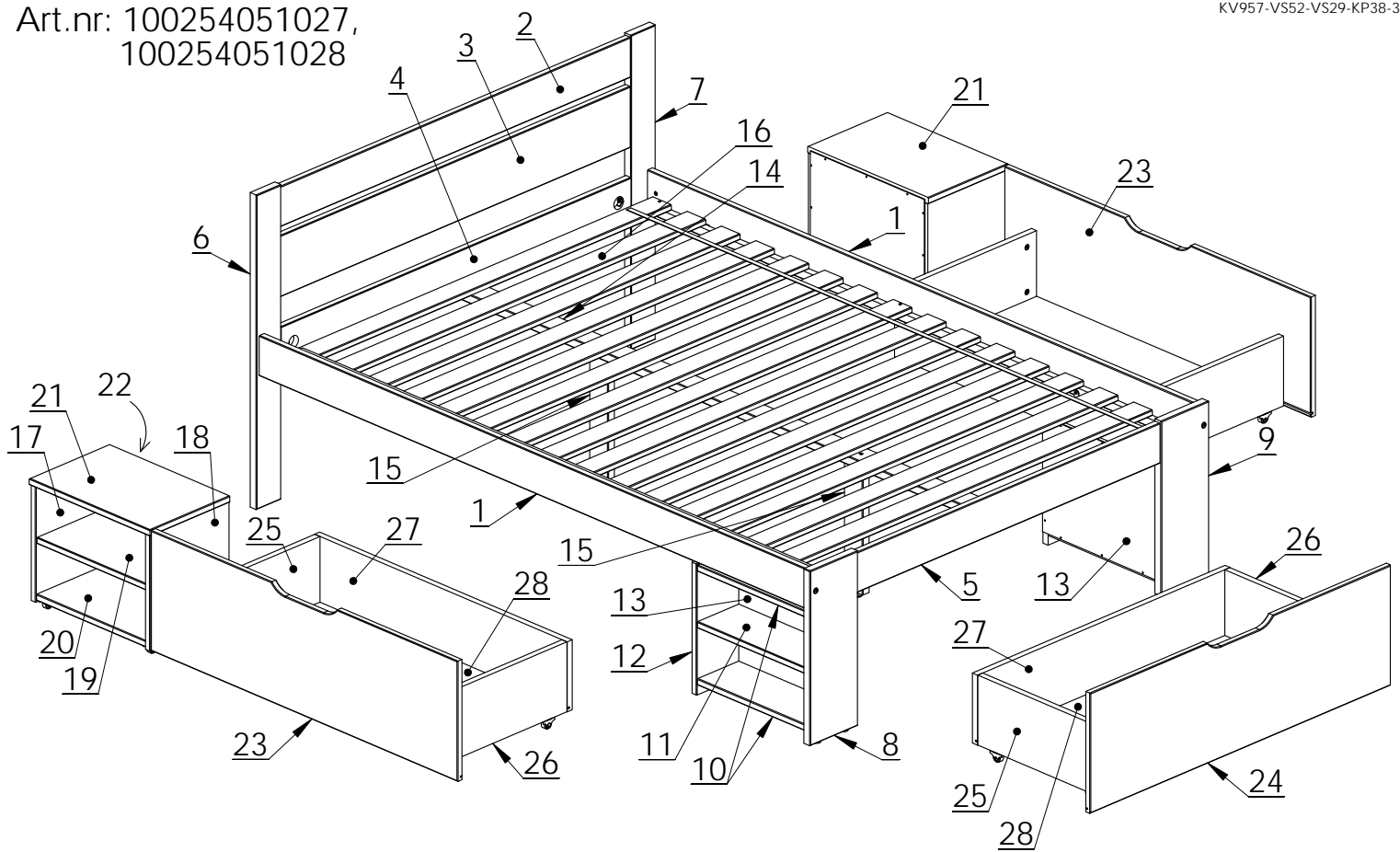


Art.nr: 100254051027,
100254051028



A		8x40	x16
B		10x40	x30
C		7x60	x9
D		D35	x6
E		7x34	x17
F		15x12	x17
G		M6x60	x4
H		M6x10x13	x4
J		3,5x16	x2
K		4x20	x2

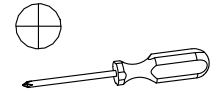
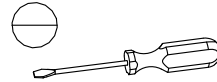
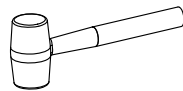
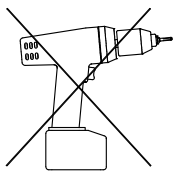
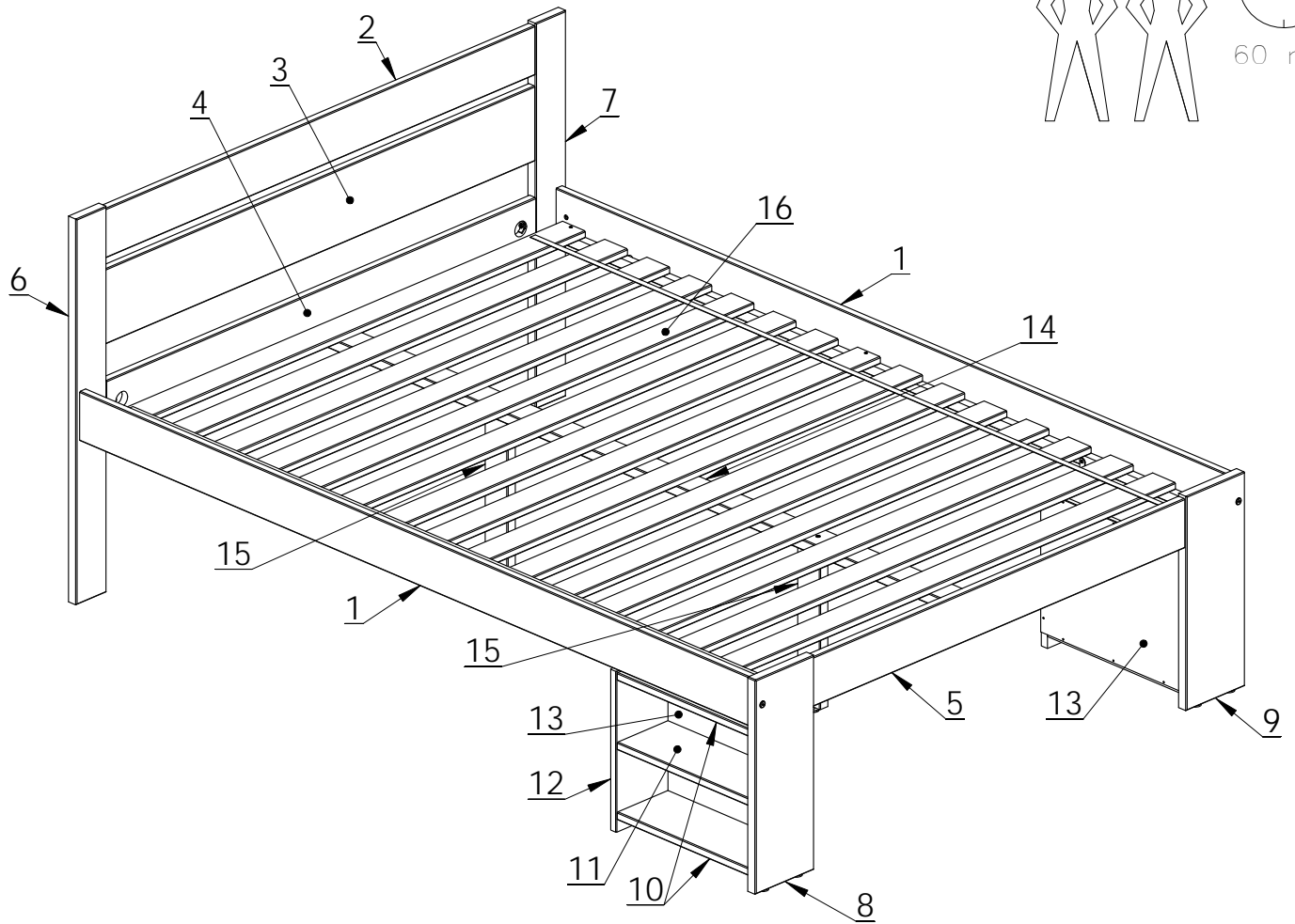
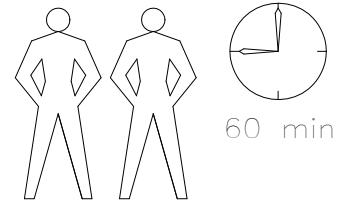
L		3,5x40	x6
M		28x17x15	x2
N		D12x18	x2
P		1,2x20	x18
Q		D25x4	x6
R		D35x9	x2
S		D8x20x10	x2
T		D8xD28x20	x2
V		4mm	x1

A		8x40	x16
E		7x34	x8
F		15x12	x8
X		D26	x8

J		3,5x16	x16
P		1,2x20	x24
Y		D5x16	x8
Z			x1

A		8x40	x12
E		7x34	x12
F		15x12	x12
X		D26	x12

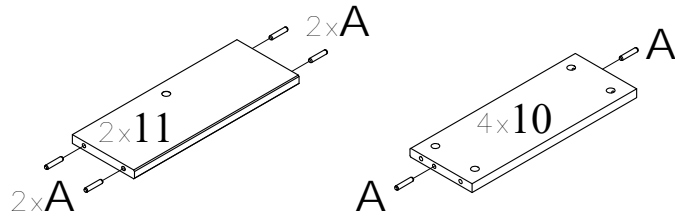
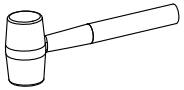
J		3,5x16	x24
L		3,5x40	x12
M		28x17x15	x4
K		4x20	x4



A		8x40	x16
B		10x40	x30
C		7x60	x9
D		D35	x6
E		7x34	x17
F		15x12	x17
G		M6x60	x4
H		M6x10x13	x4
J		3,5x16	x2
K		4x20	x2

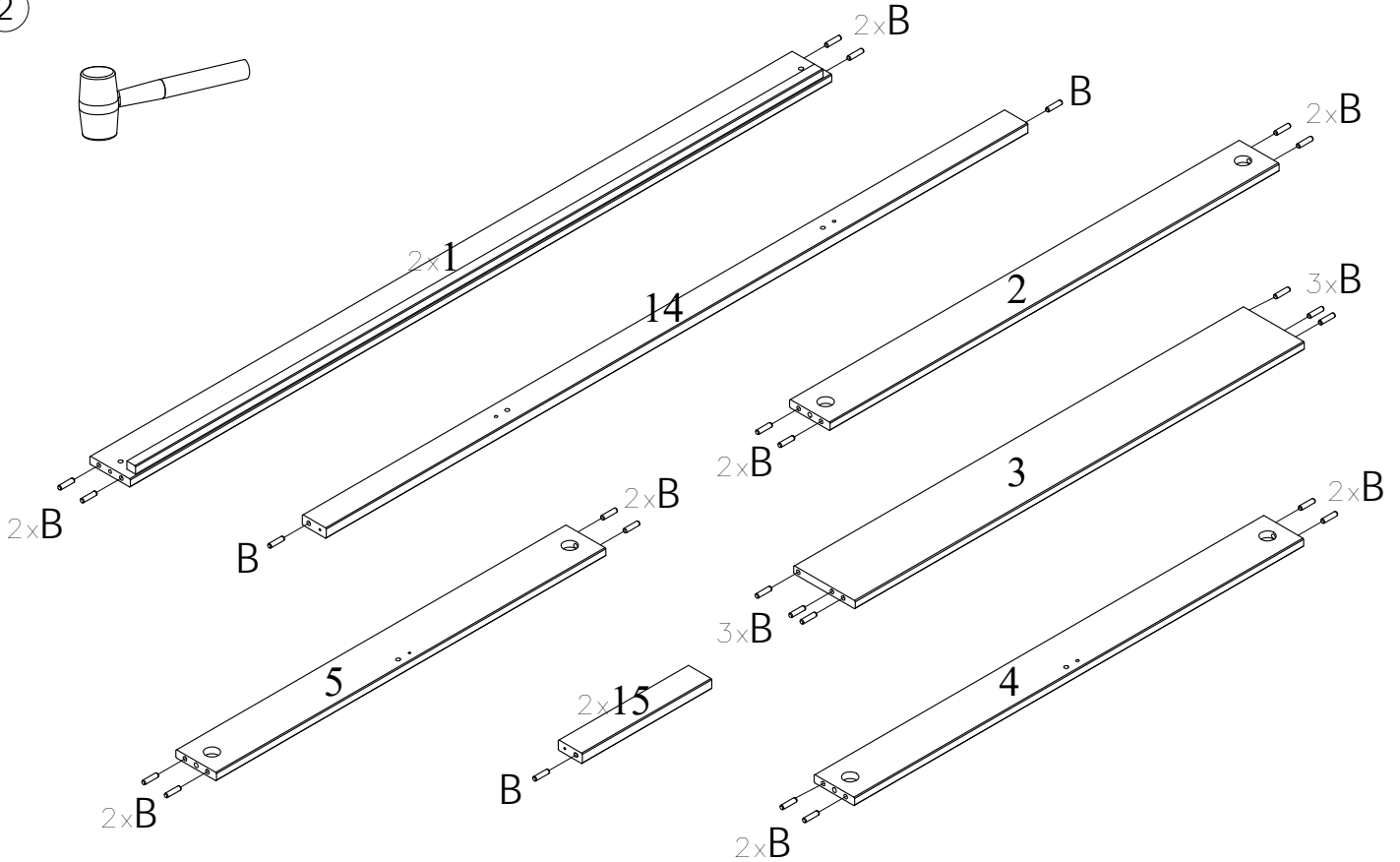
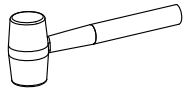
L		3,5x40	x6
M		28x17x15	x2
N		D12x18	x2
P		1,2x20	x25
Q		D25x4	x6
R		D35x9	x2
S		M8x20x10	x2
T		M8xD28x20	x2
V		4mm	x1

①



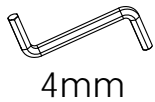
A		8x40	x16
---	--	------	-----

②

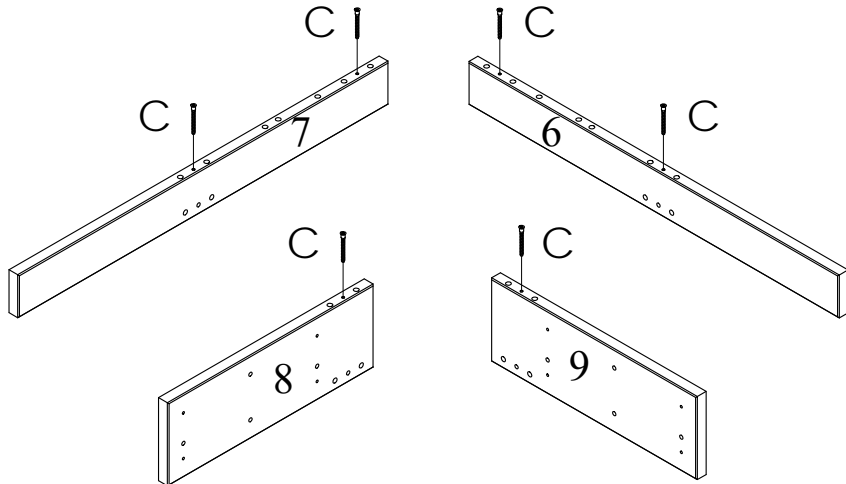
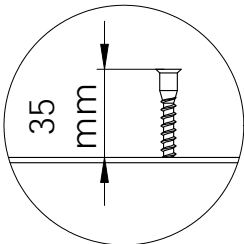


B		10x40	x30
---	--	-------	-----

③

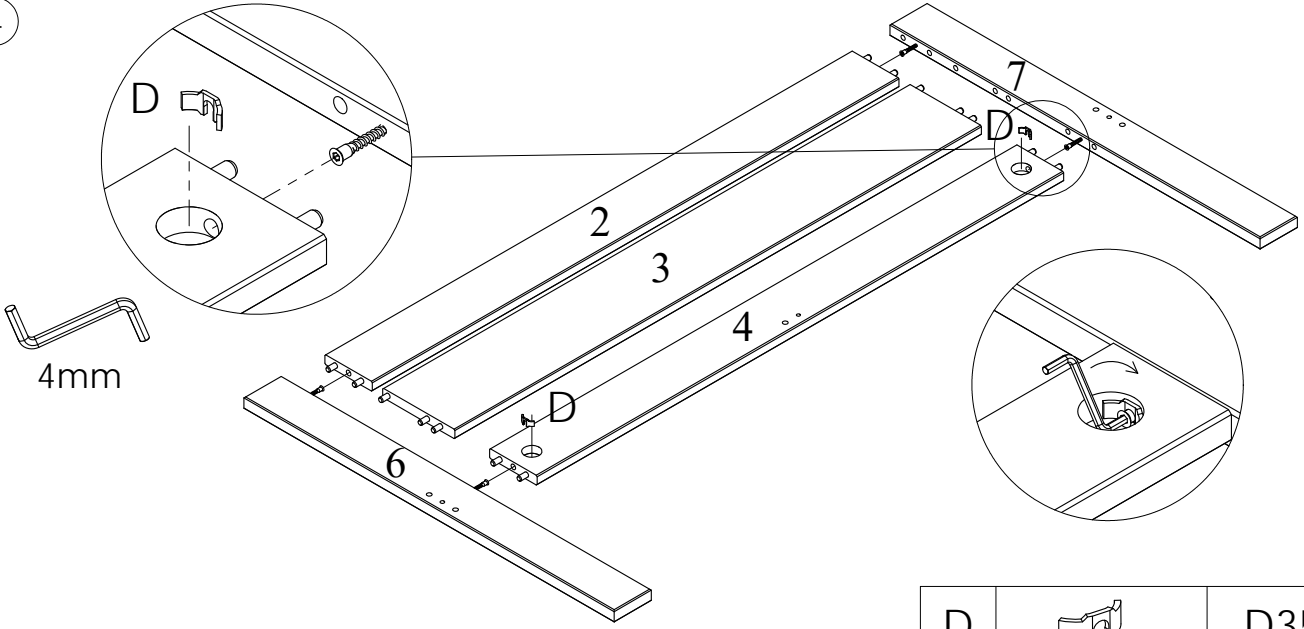


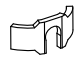
4mm



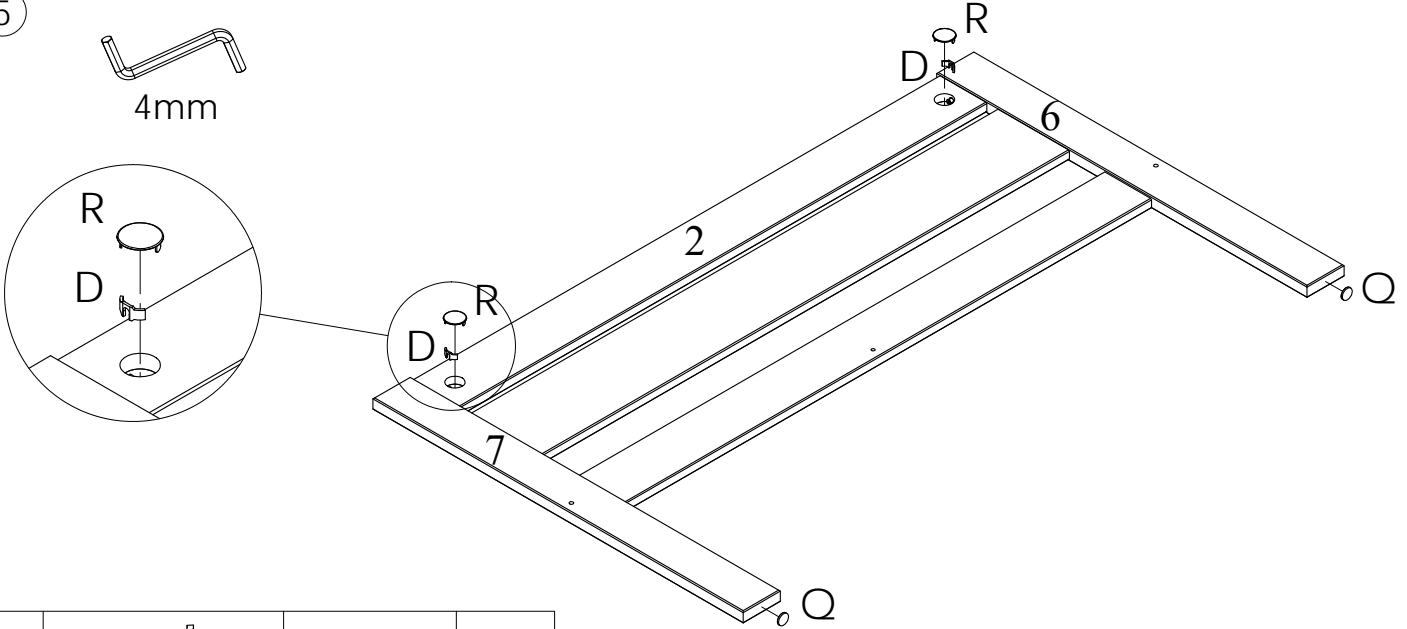
C		7x60	x6
---	--	------	----


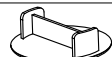
4




D		D35	x2
---	---	-----	----

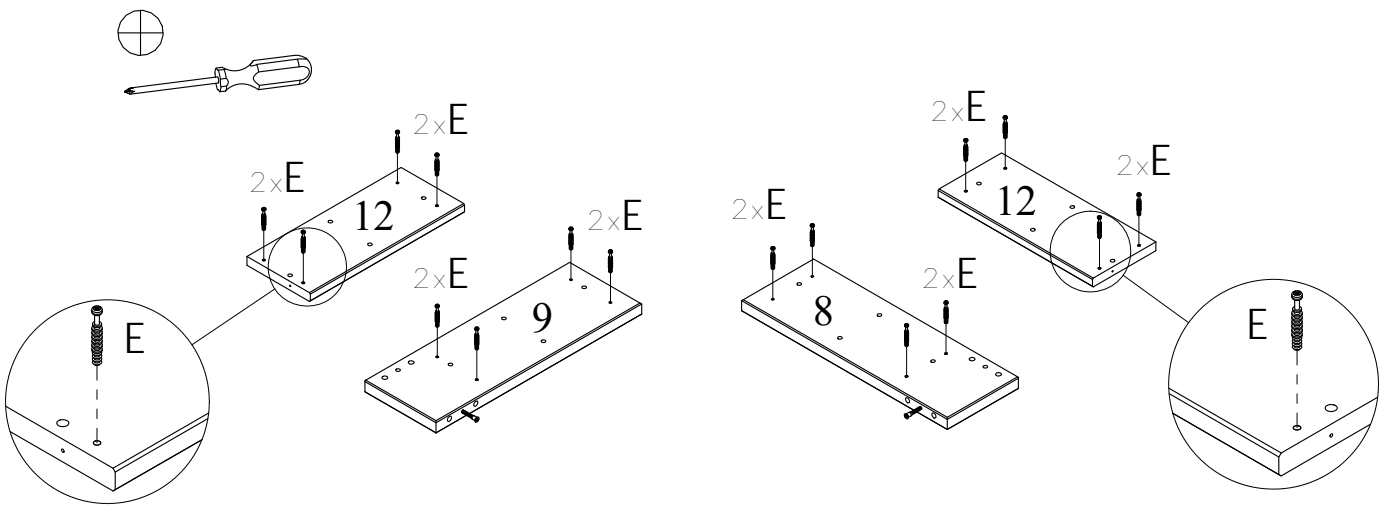
5



D		D35	x2
R		D35x9	x2

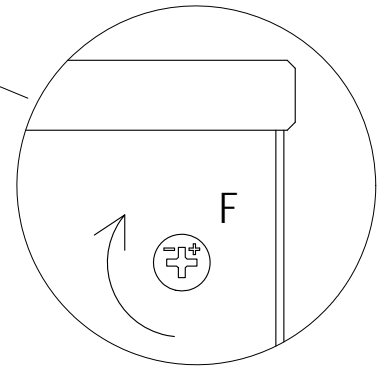
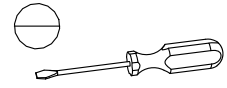
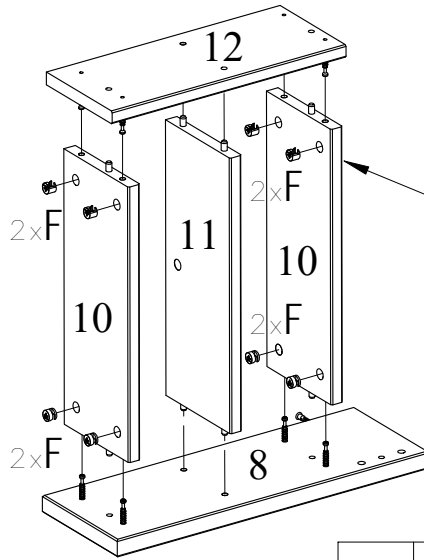
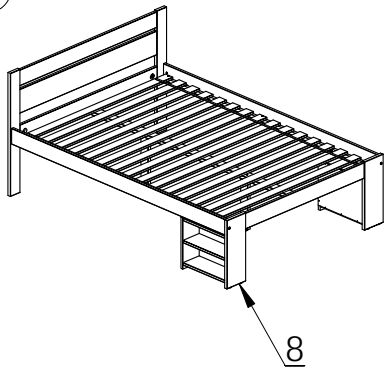
Q		D25x4	x2
---	---	-------	----

6



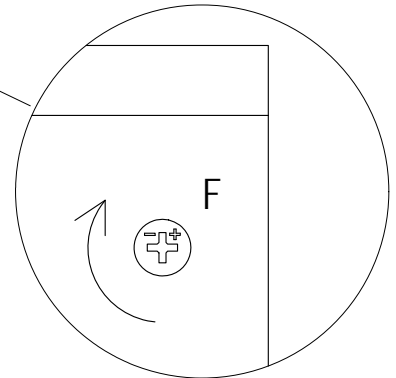
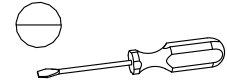
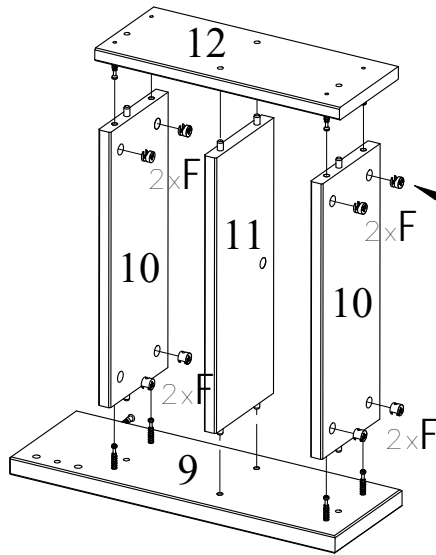
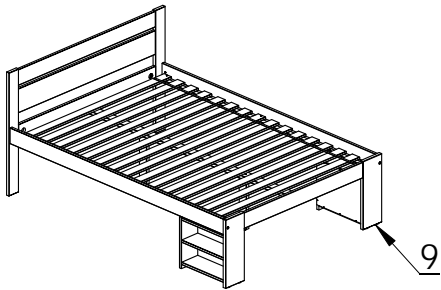
E		7x34	x16
---	---	------	-----

7



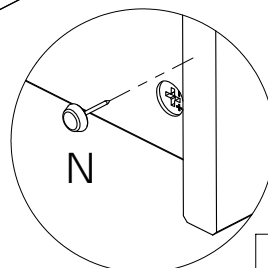
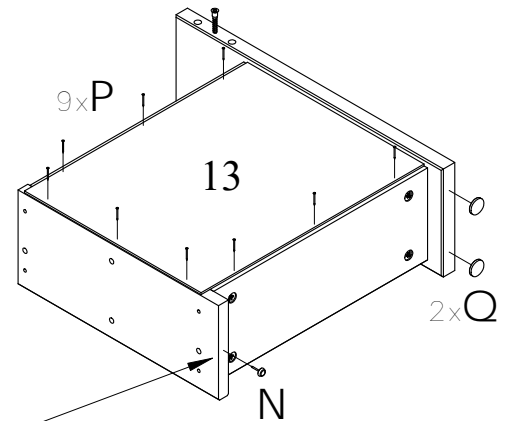
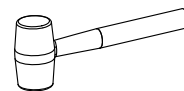
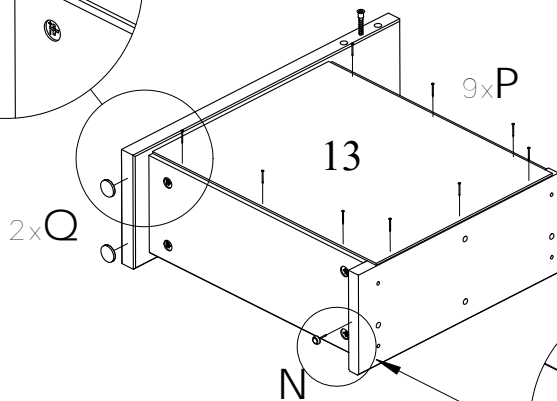
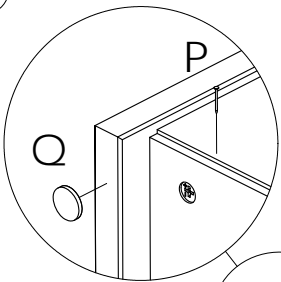
F		15x12	x8
---	--	-------	----

8



F		15x12	x8
---	--	-------	----

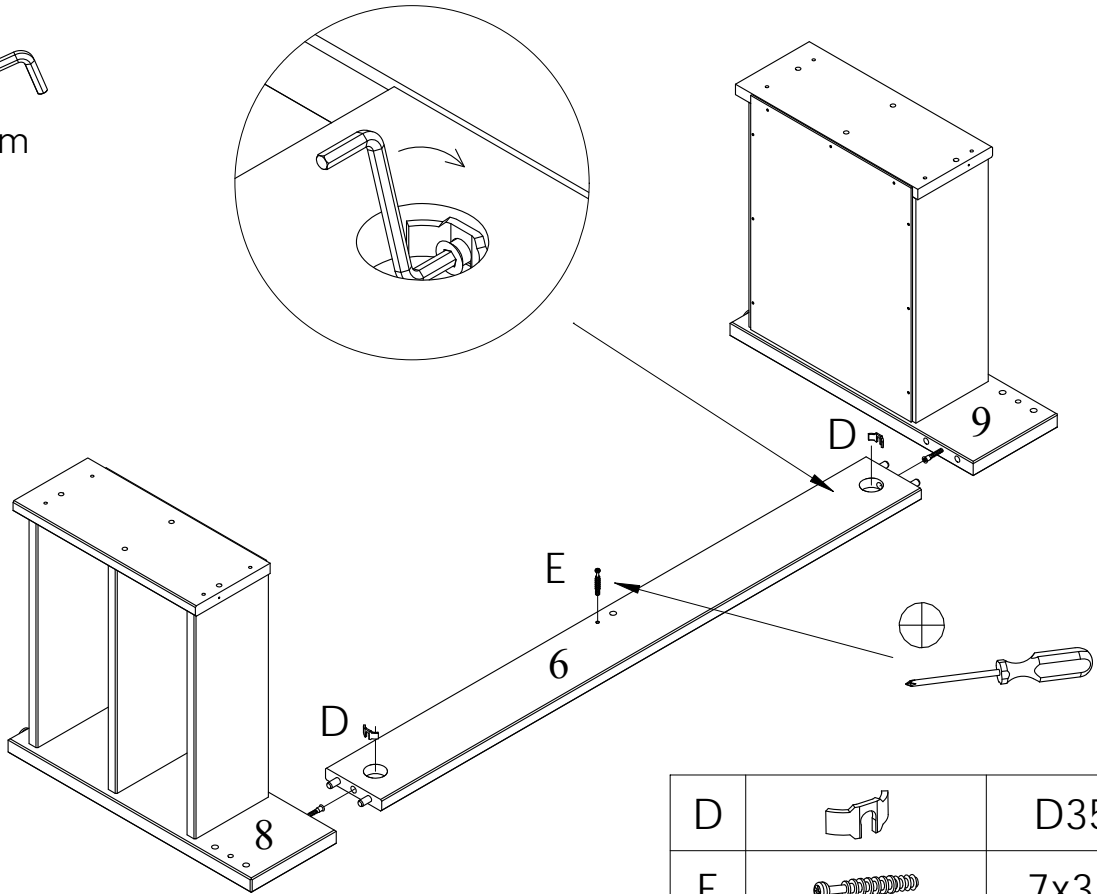
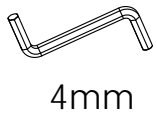
9



Q		D35	x4
N		D35x9	x2

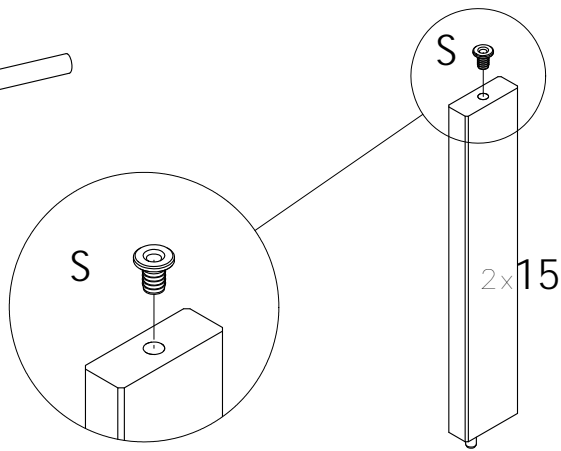
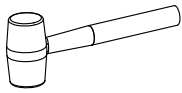
P		1,2x20	x18
---	--	--------	-----

10



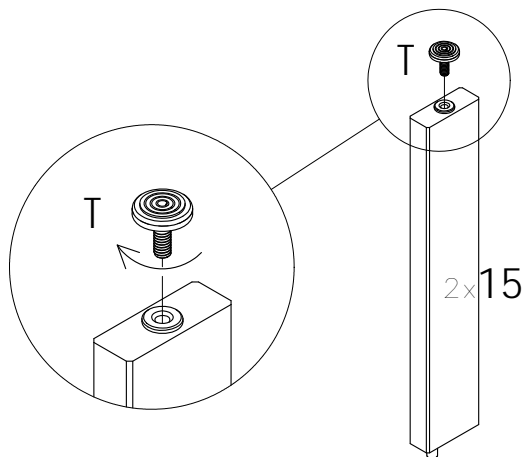
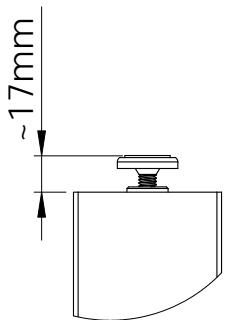
D		D35	x2
E		7x34	x1

11



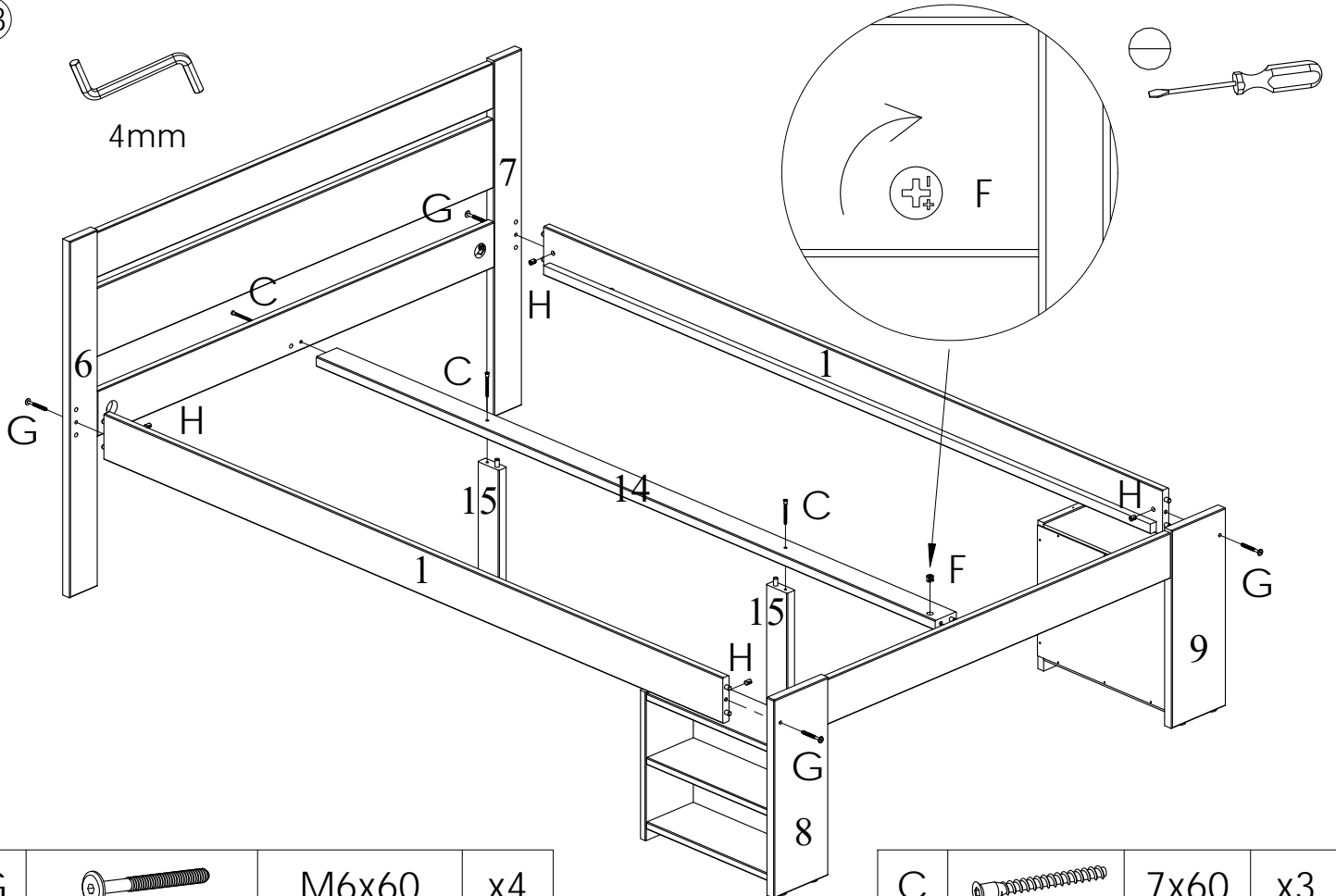
S		D8x20x10	x2
---	--	----------	----



12





T		D8xD28x20	x2
---	--	-----------	----

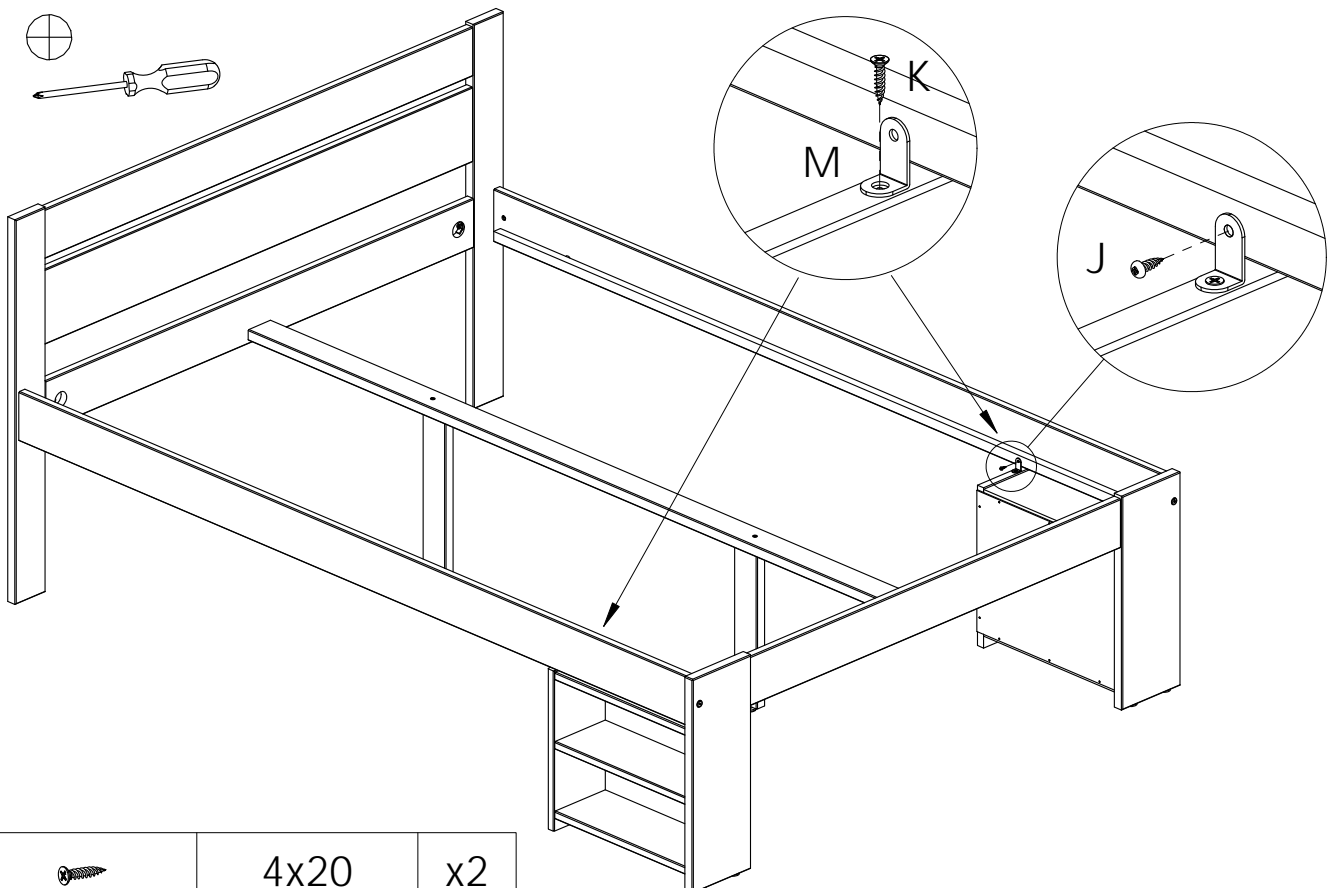
13





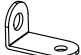
G		M6x60	x4
H		M6x10x13	x4

C		7x60	x3
F		15x12	x1

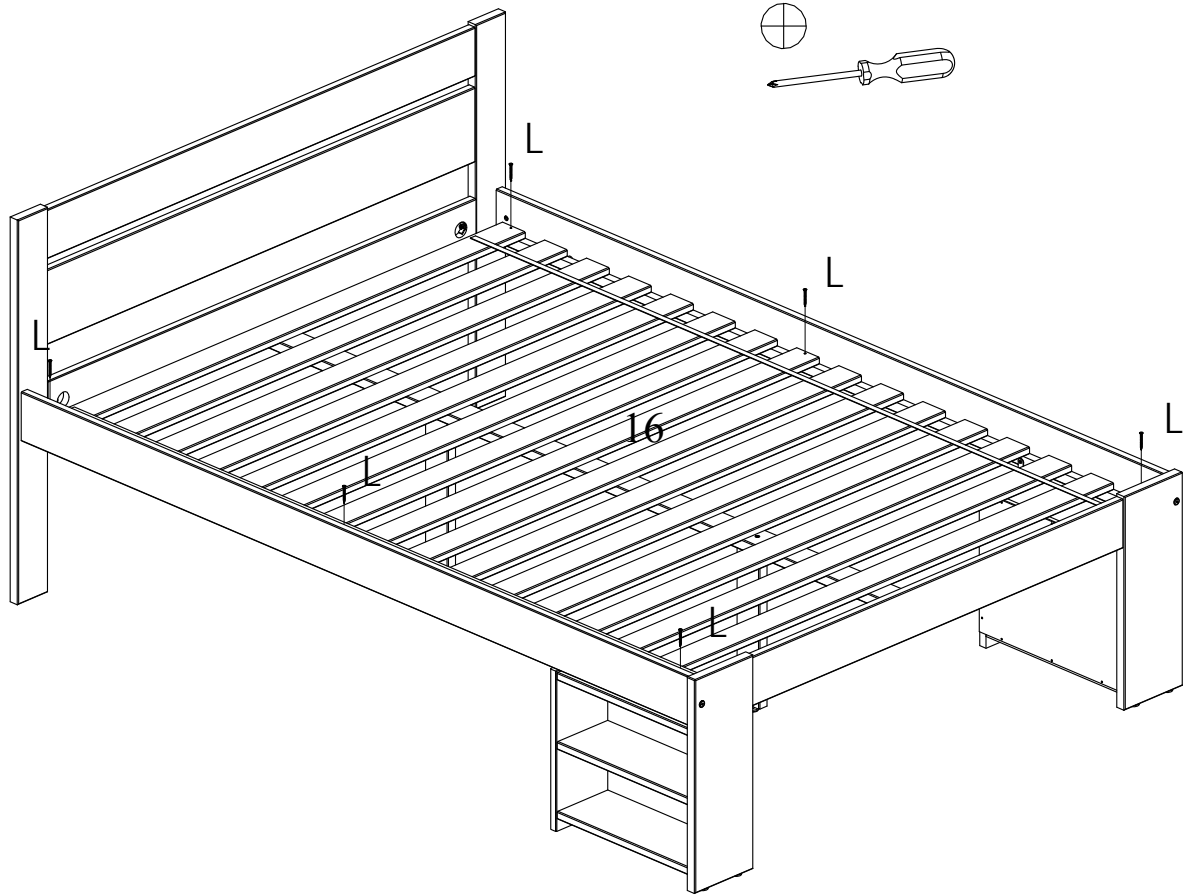
14




K		4x20	x2
J		3,5x16	x2

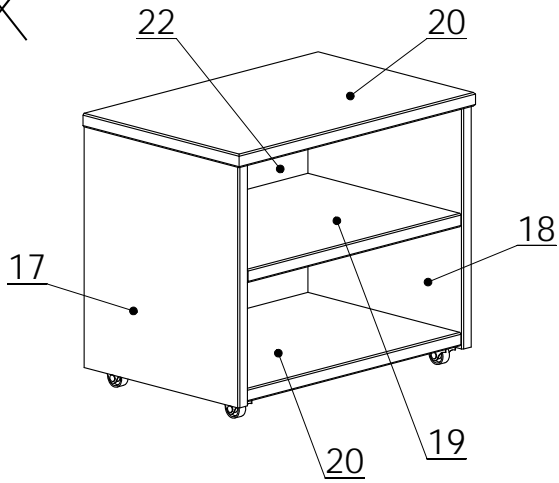
M		28x17x15	x2
---	---	----------	----

15



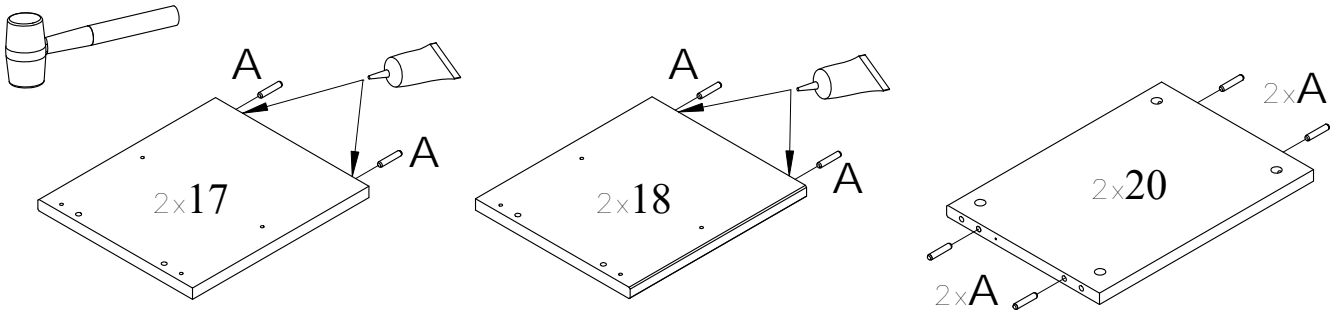
L		3,5x40	x6
---	---	--------	----

2x



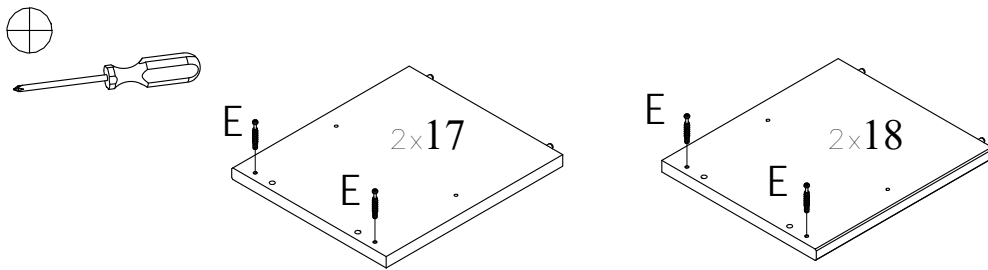
A		8x40	x16
E		7x34	x8
F		15x12	x8
X		D26	x8
J		3,5x16	x16
P		1,2x20	x24
Y		D5x16	x8
Z			x1

16



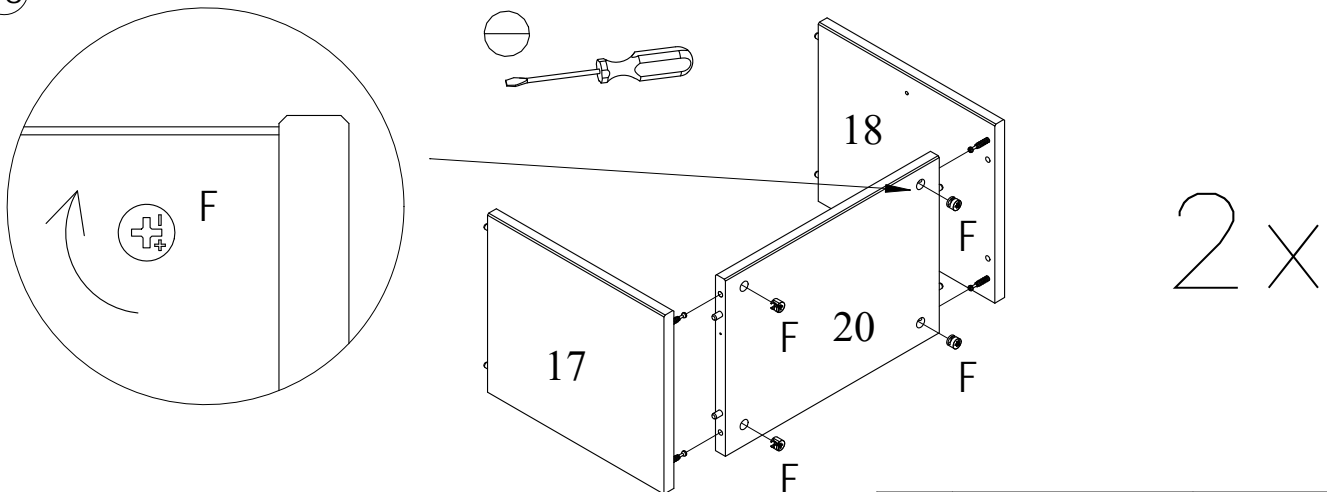
A		8x40	x16
---	--	------	-----

17



E		7x34	x8
---	--	------	----

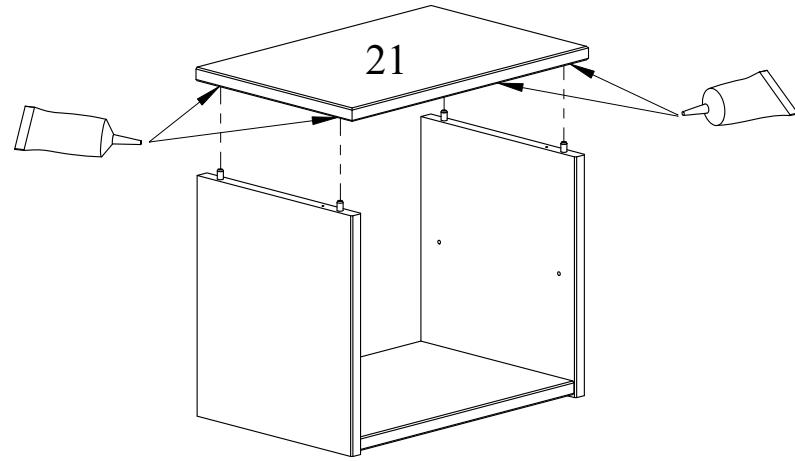
18



F		15x12	x8
---	--	-------	----

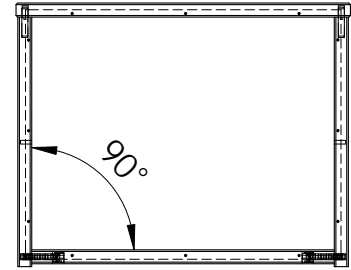
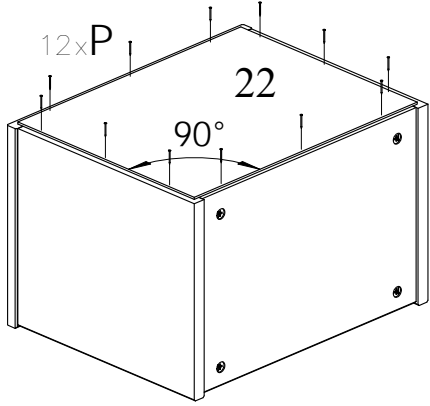
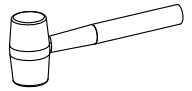
19

2x



20

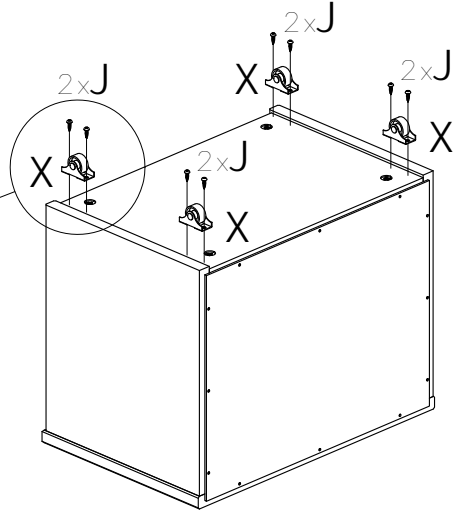
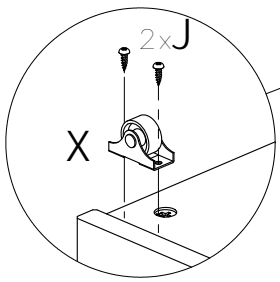
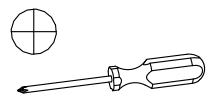
2x



P		1,2x20	x24
---	--	--------	-----

21

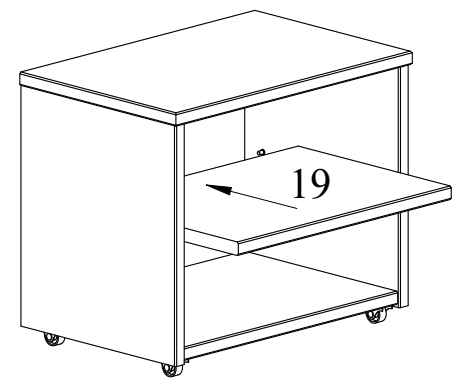
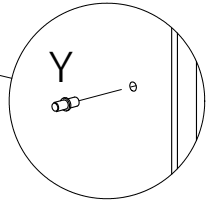
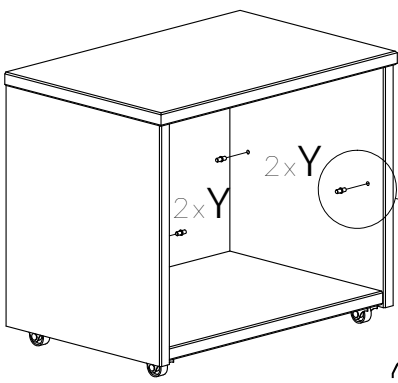
2x



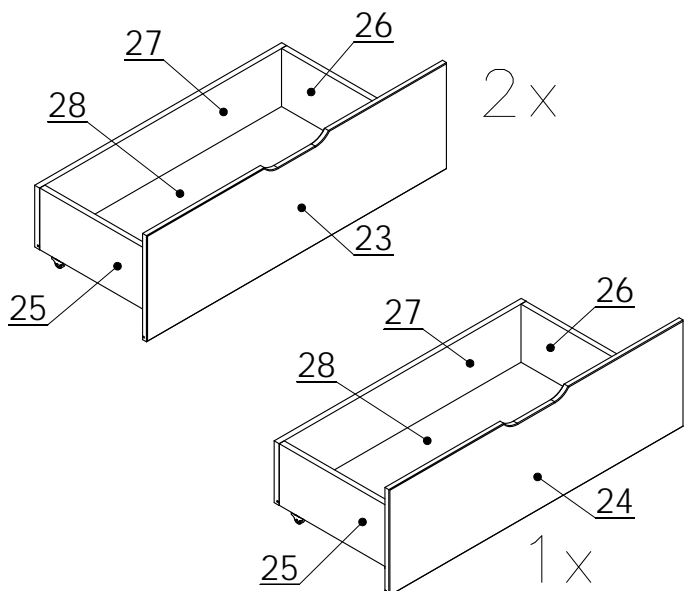
X		D26	x8
J		3,5x16	x16

22

2x

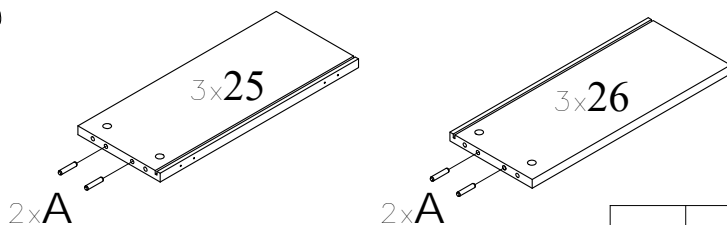
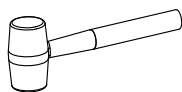


Y		D5x16	x8
---	--	-------	----



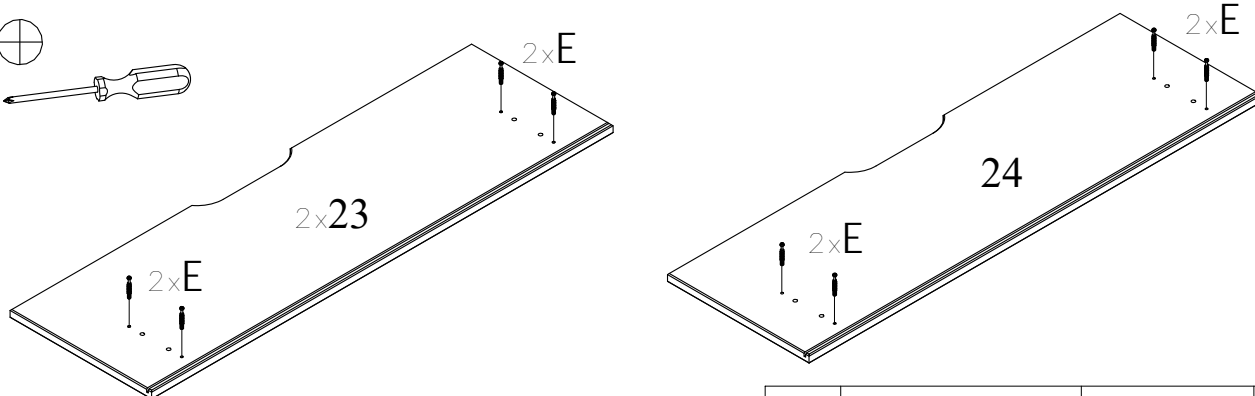
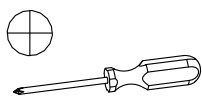
A		8x40	x12
E		7x34	x12
F		15x12	x12
X		D26	x12
J		3,5x16	x24
L		3,5x40	x12
M		28x17x15	x4
K		4x20	x4

23



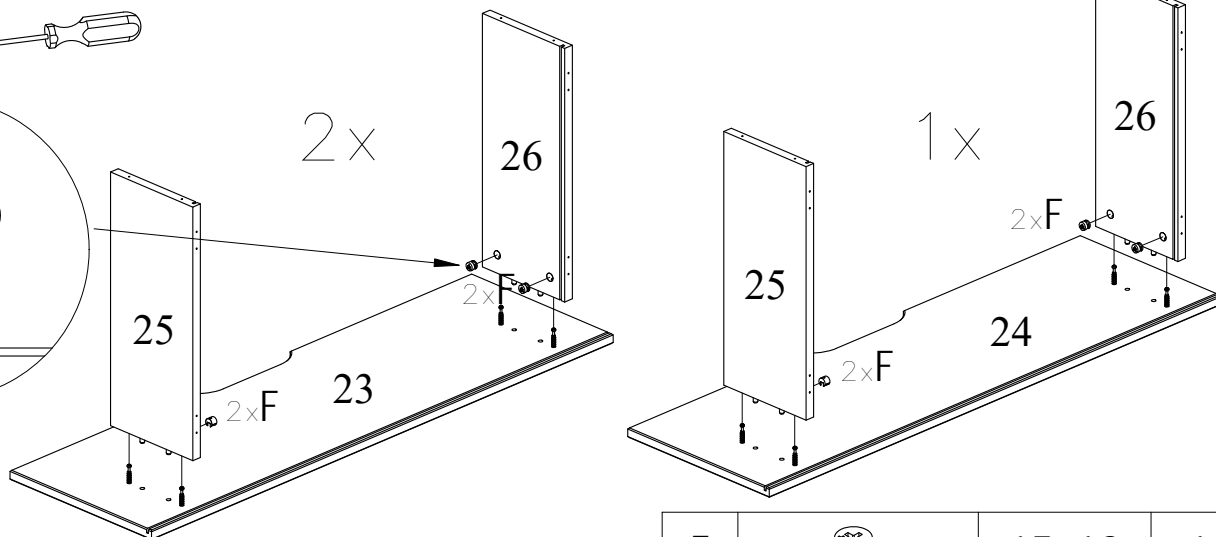
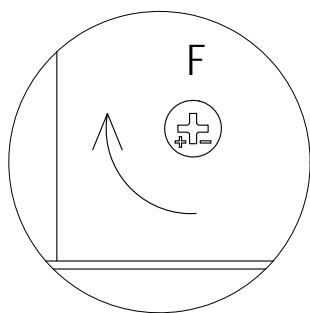
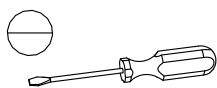
A		8x40	x12
---	--	------	-----

24



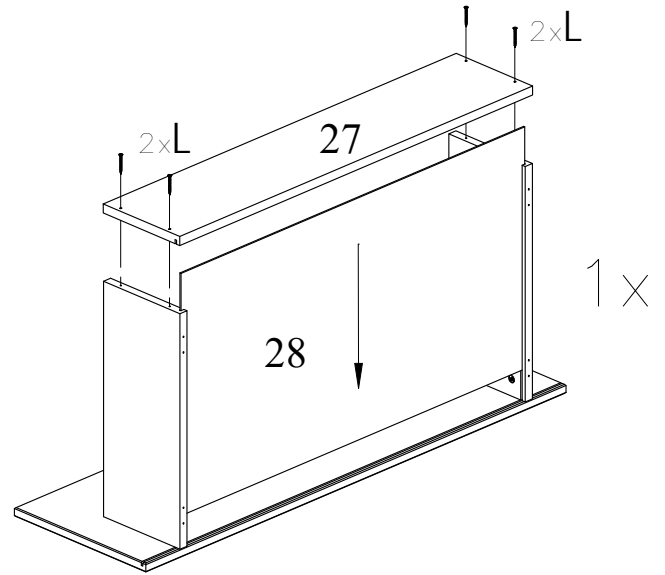
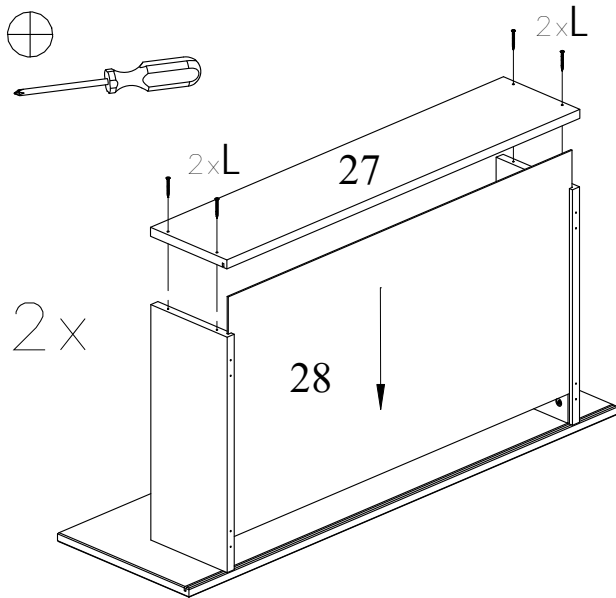
E		7x34	x12
---	--	------	-----

25



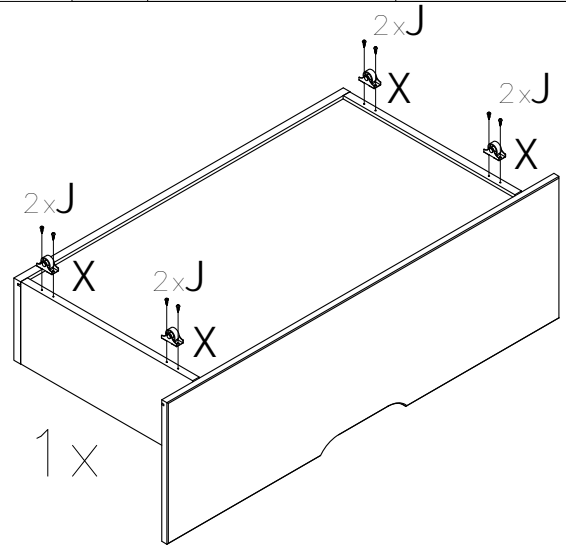
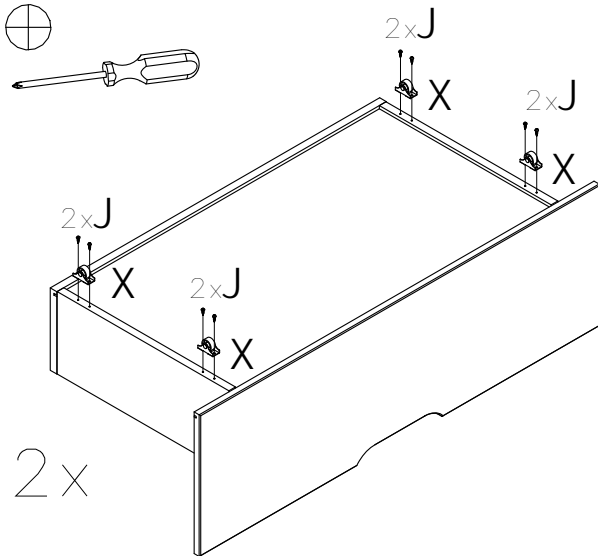
F		15x12	x12
---	--	-------	-----

26



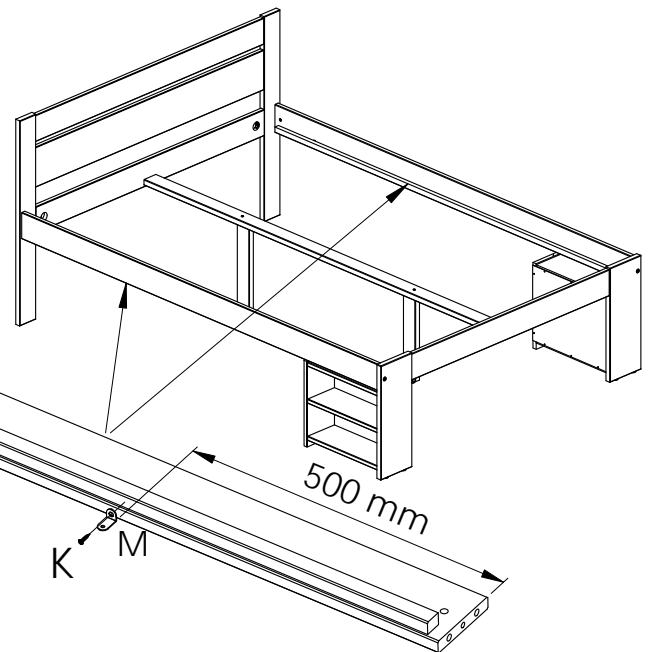
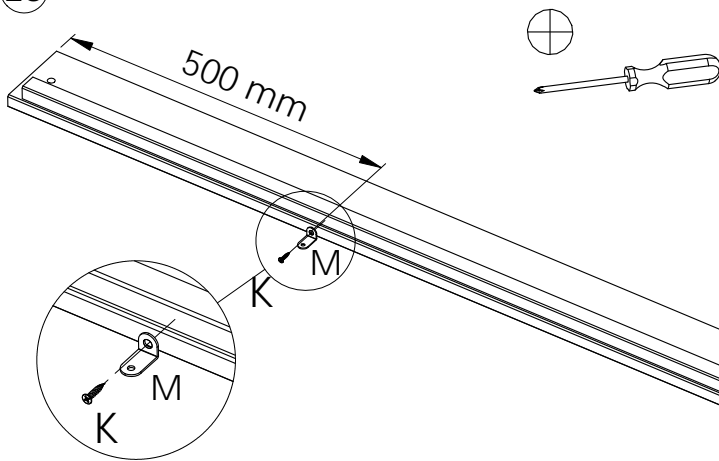
L		3,5x40	x12
---	--	--------	-----

27



X		D26	x12
J		3,5x16	x24

28



M		28x17x15	x4
K		4x20	x4