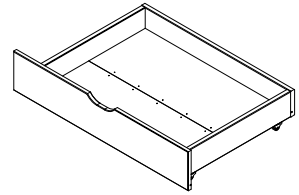
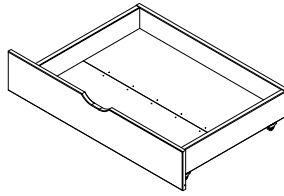
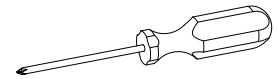
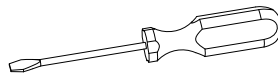
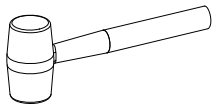
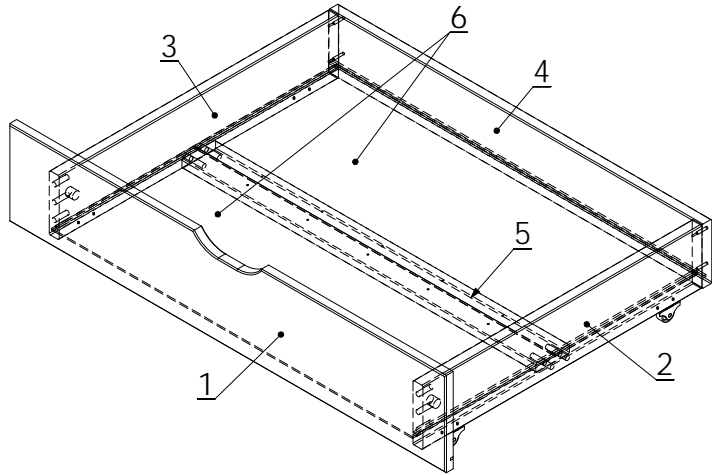
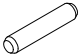








30min.

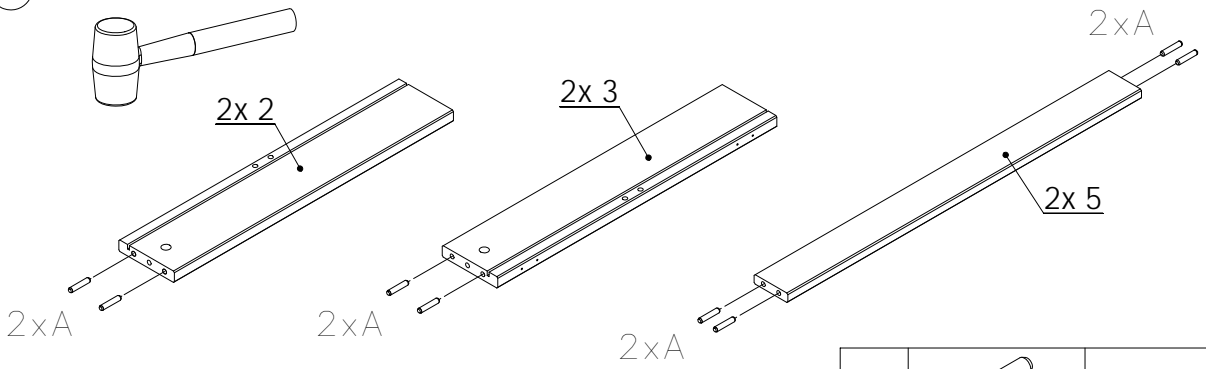


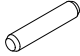
2x



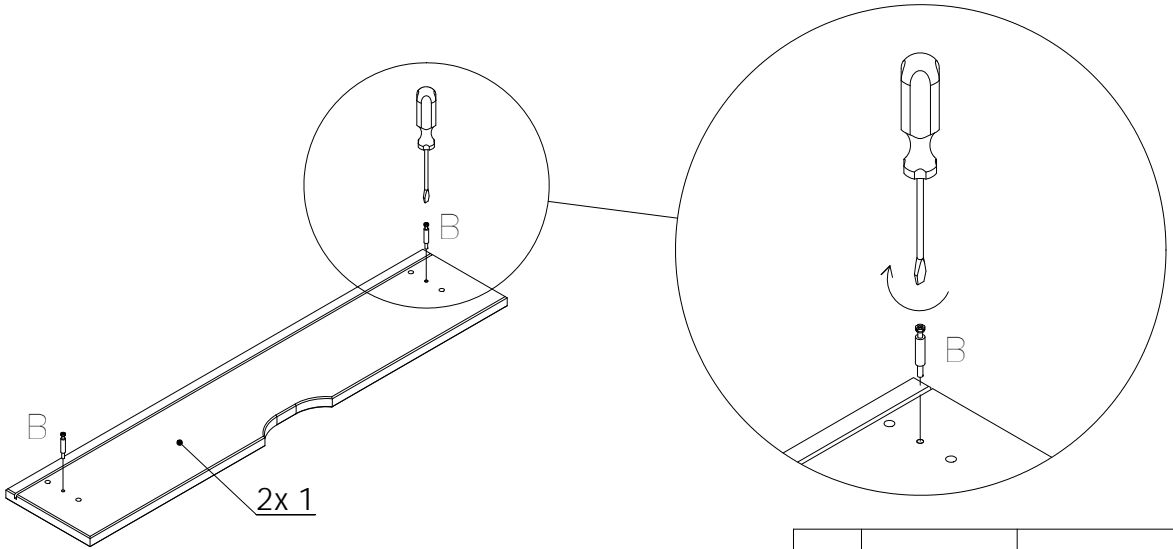
A		8x40	x16
B		7x34	x4
C		15x12	x4
D		3,5x40	x8
E		D26	x8
F		3,5x16	x16
G		1,2x16	x20


1



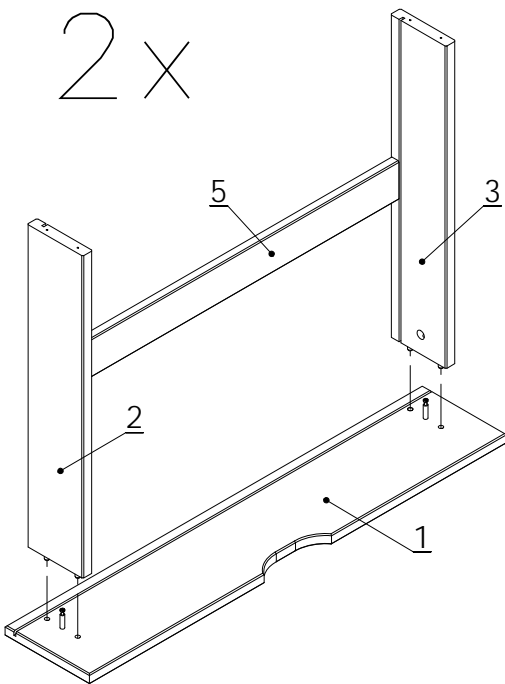
A		8x40	x16
---	---	------	-----

2

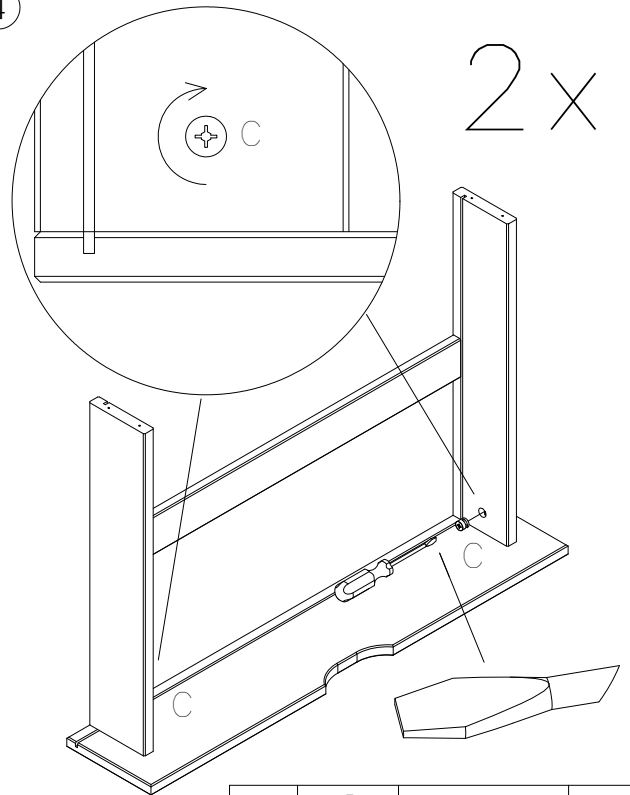



B		7x34	x4
---	---	------	----

3

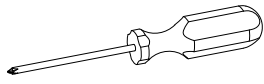


4

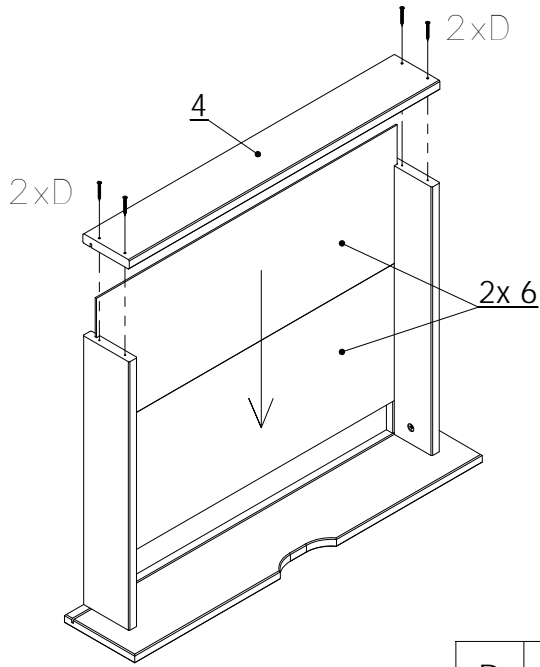


C		15x12	x4
---	---	-------	----

5

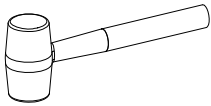


2x

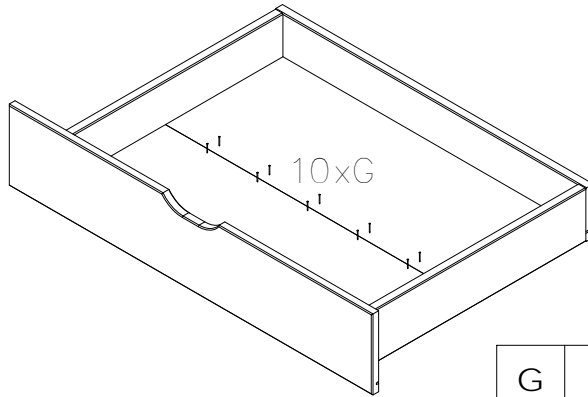


D		3,5x40	x8
---	--	--------	----

6

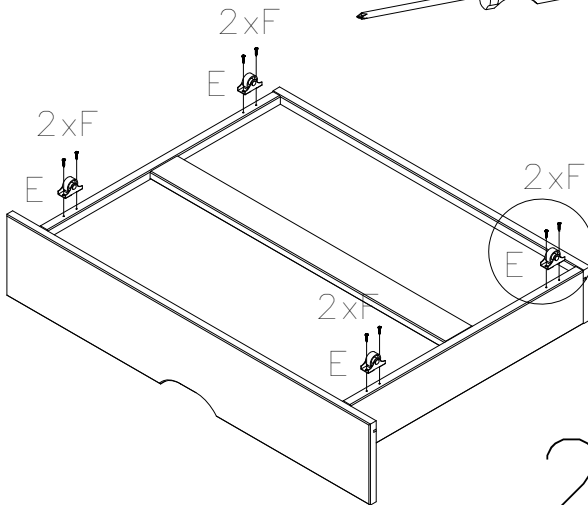
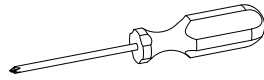


2x



G		1,2x16	x10
---	--	--------	-----

7



2x

E		D26	x8
---	--	-----	----

F		3,5x16	x16
---	--	--------	-----