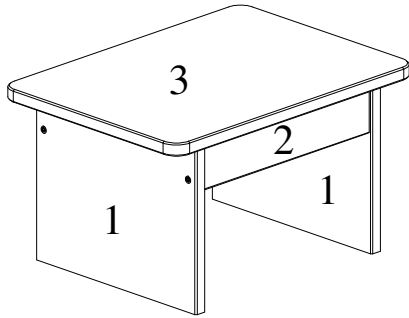
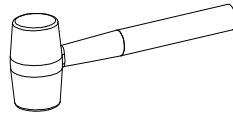


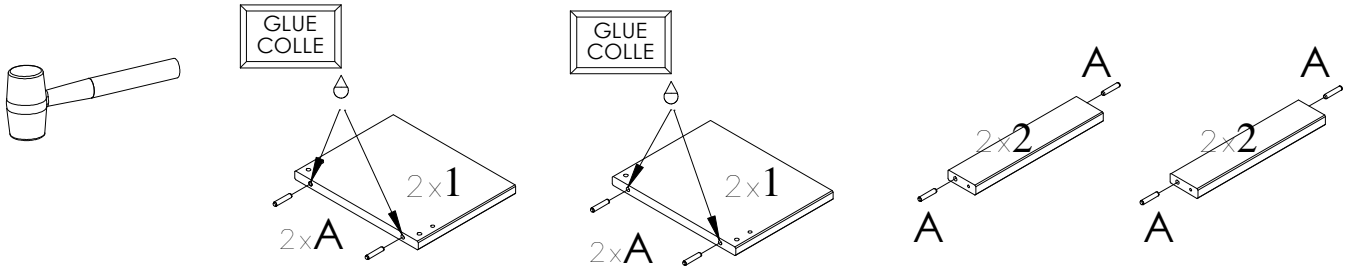
2x



A		8x40	x16
B		7x50	x8
		4mm	x1
			x1



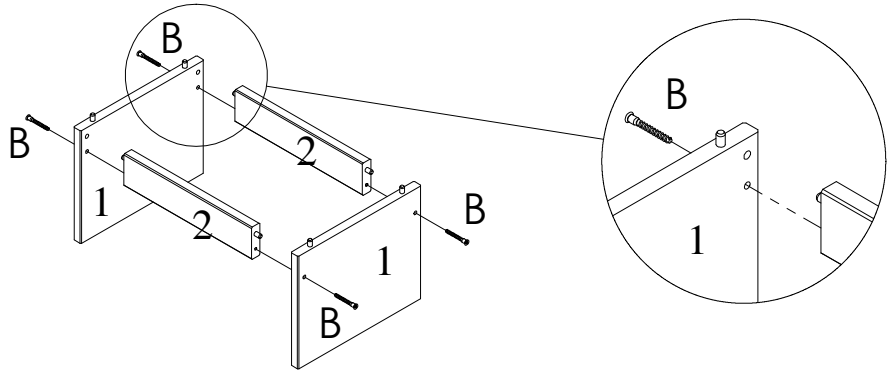
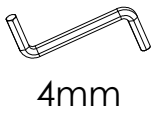
①



A		8x40	x16
---	--	------	-----

②

2x



B		7x50	x20
---	--	------	-----

③

2x

