




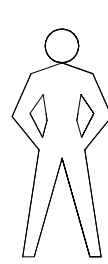
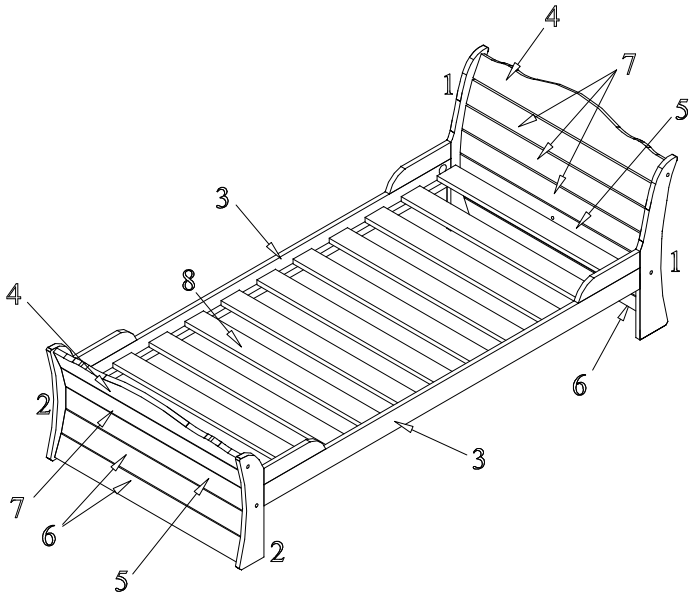
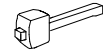


KV090-V6

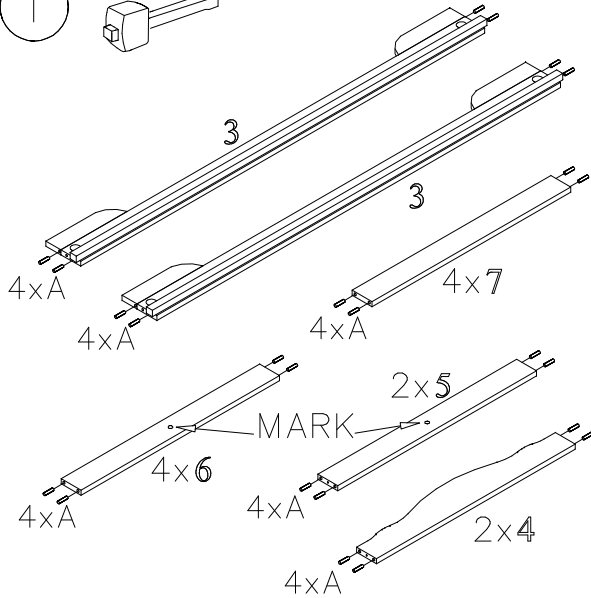
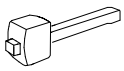
A		10x40	x56
B		7x60	x12
C		D=35	x4
D		3,5x40	x6
E		D4x13	x8



30 min.



1



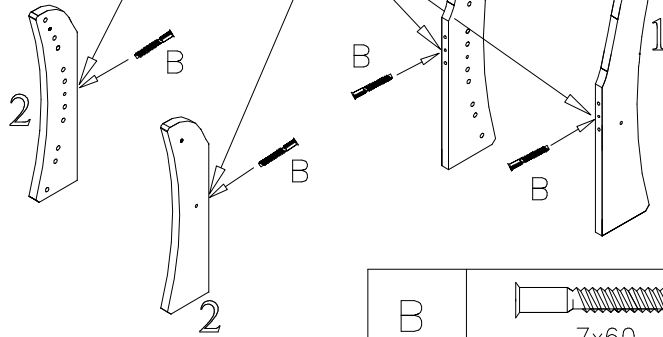
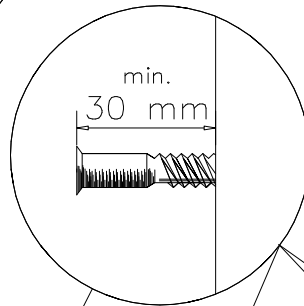
A



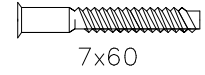
10x40

x56

2



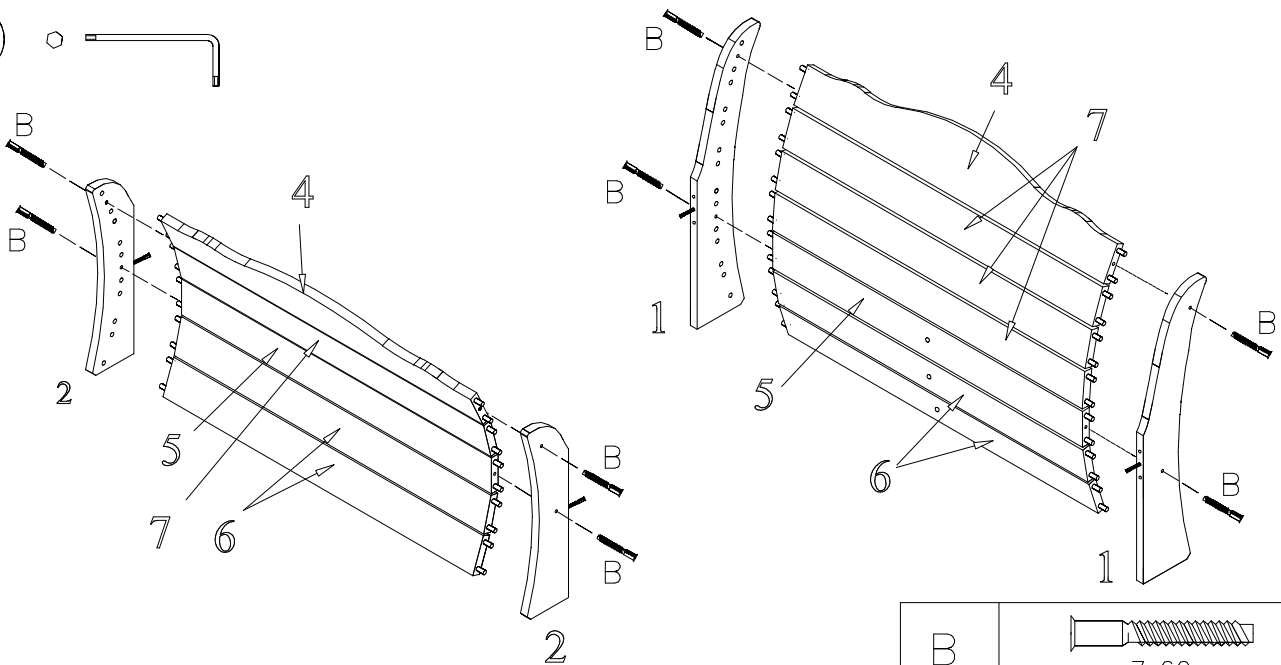
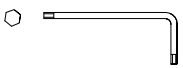
B



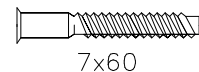
7x60

x4

3



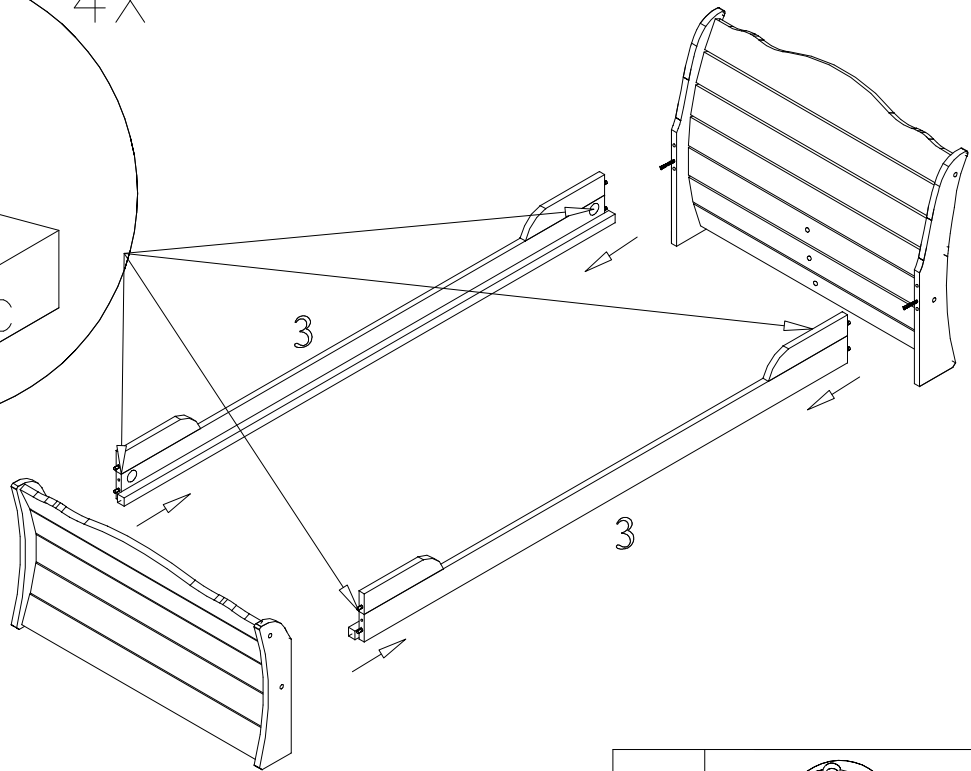
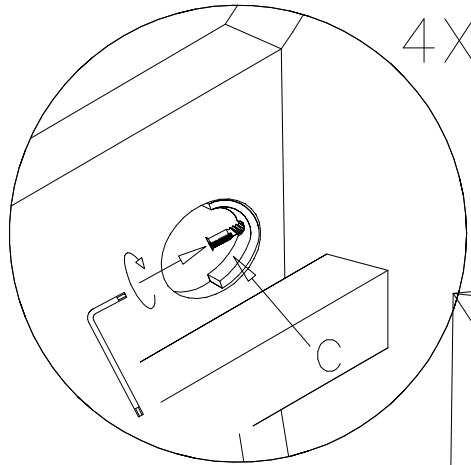
B

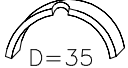


7x60

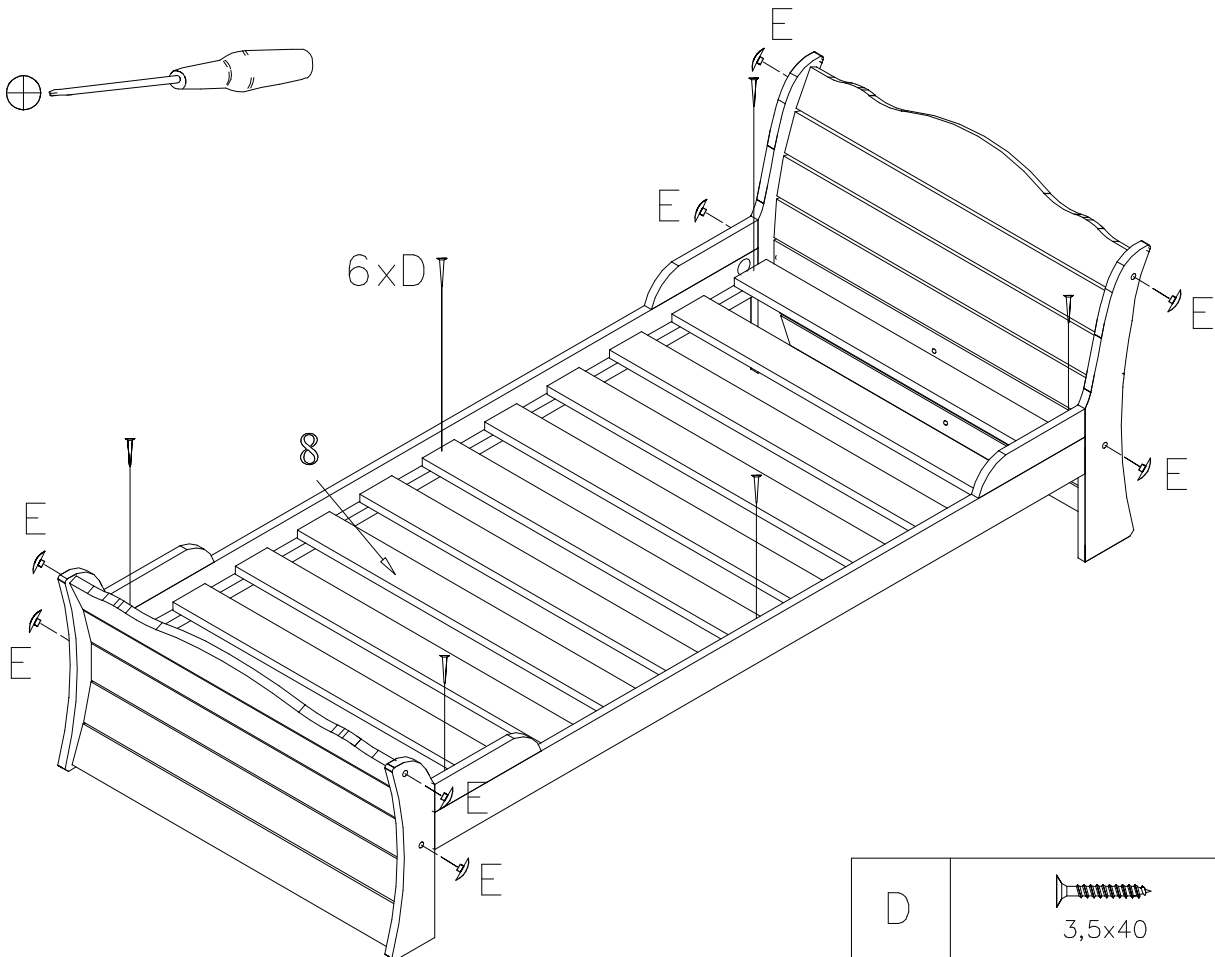
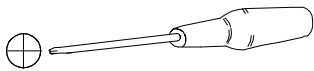
x8

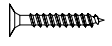
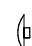
4



C	 D=35	x4
---	--	----

5



D	 3,5x40	x6
E	 D4x13	x8

