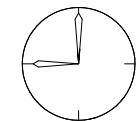
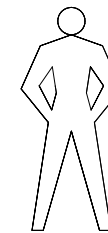
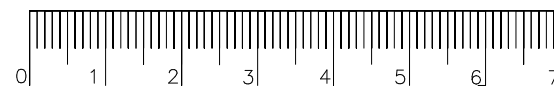
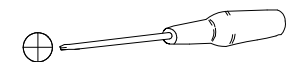
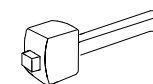
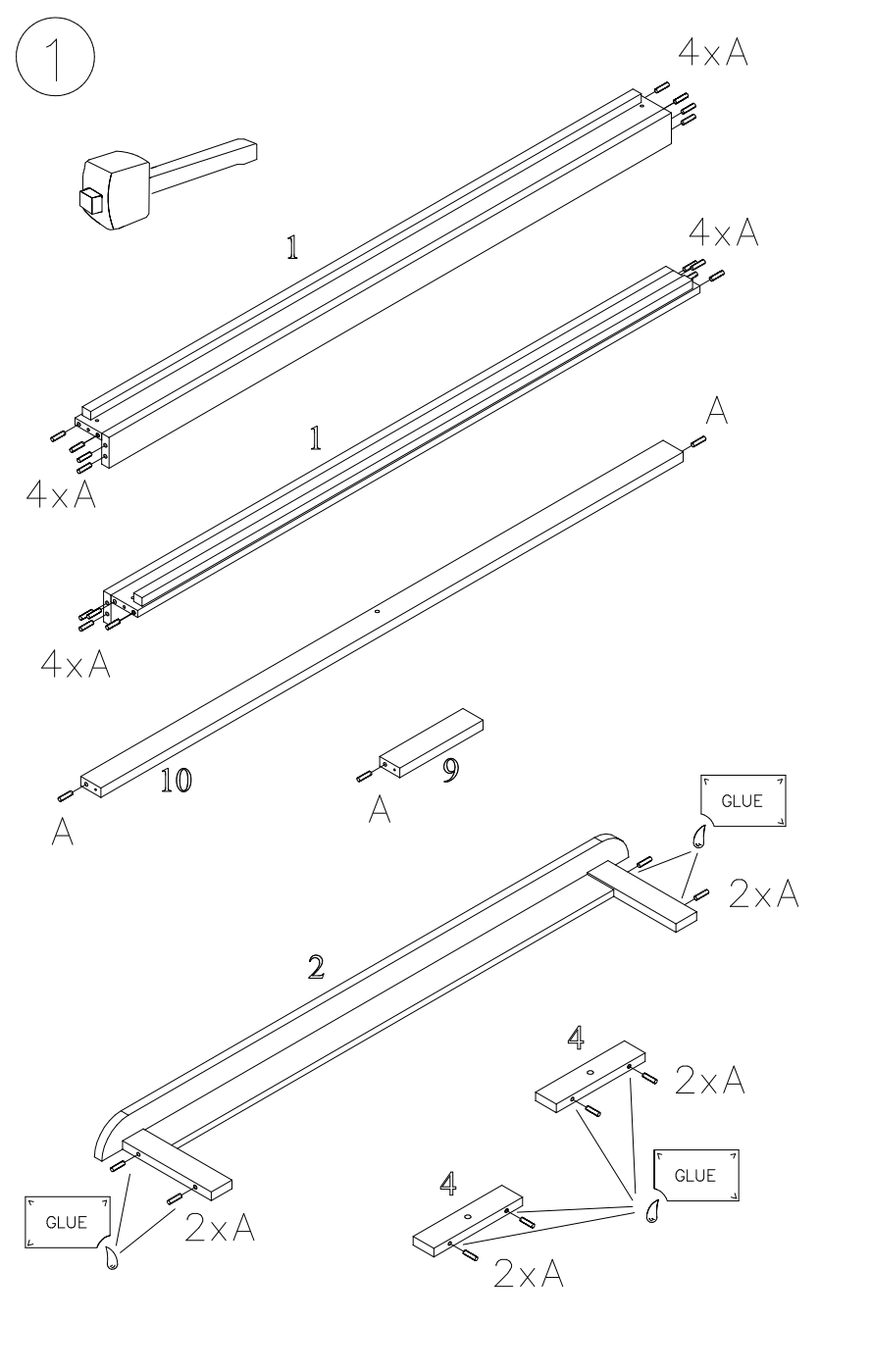


A		10x40	x27
B		M6x60	x4
C		M6x10x13	x4
D		7x50	x3
E		3,5x40	x6
F		M6x10x11	x8
G		M6x20	x12
H		M6x8x12x15	x4
			x2

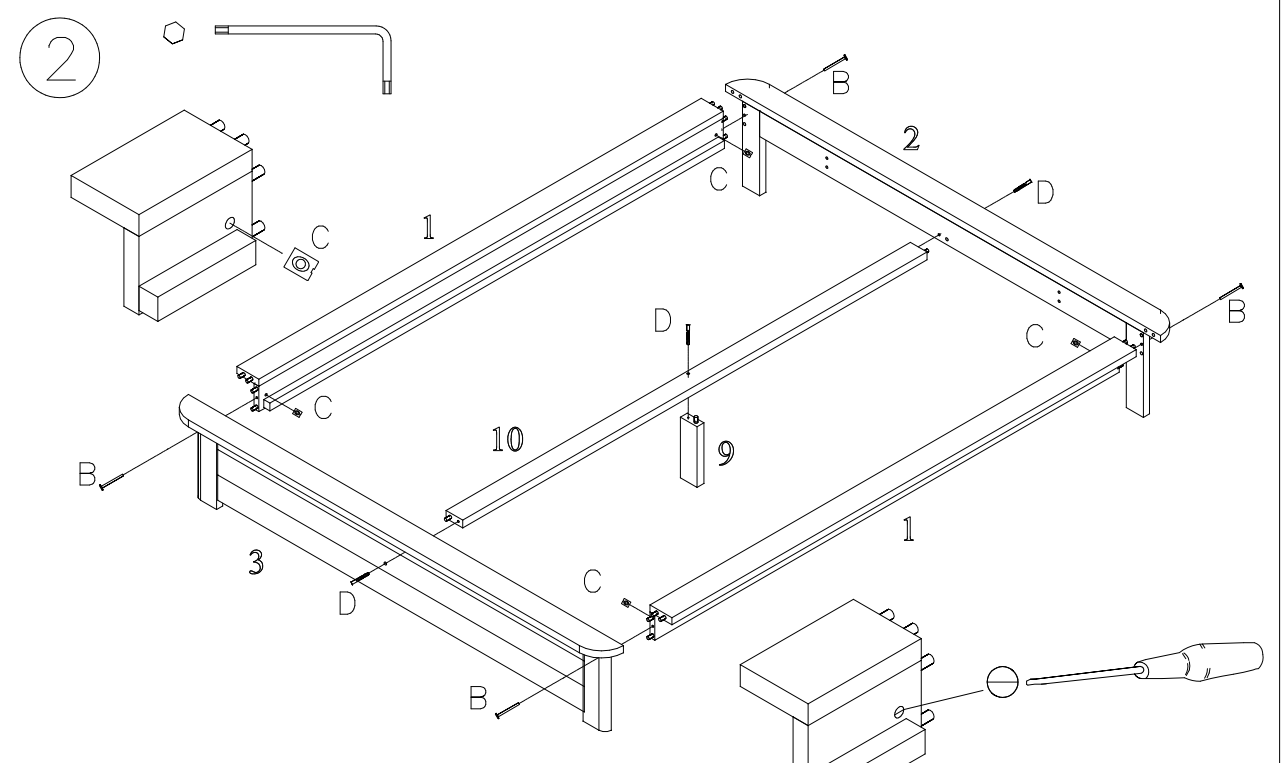


30 min.



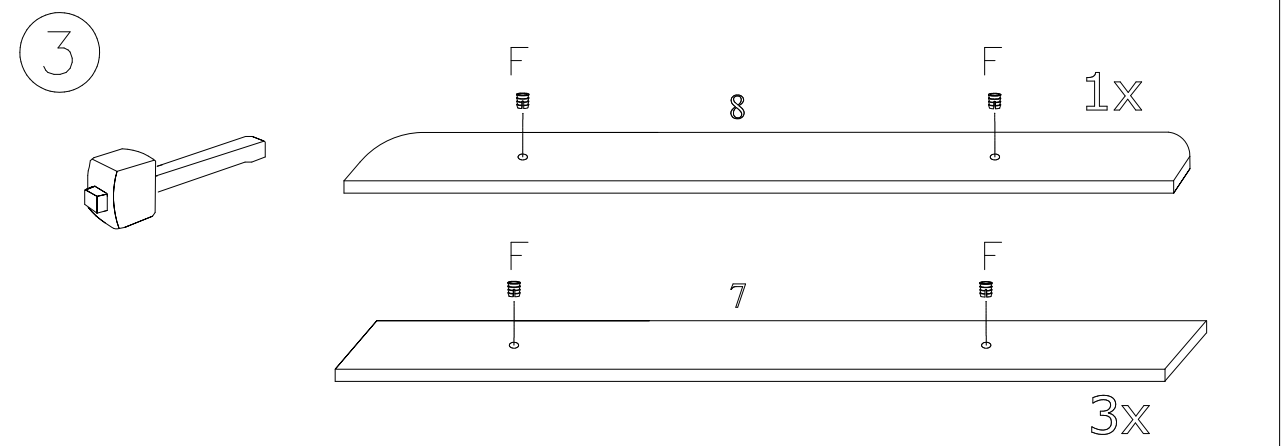


A		10x40	x27
---	--	-------	-----



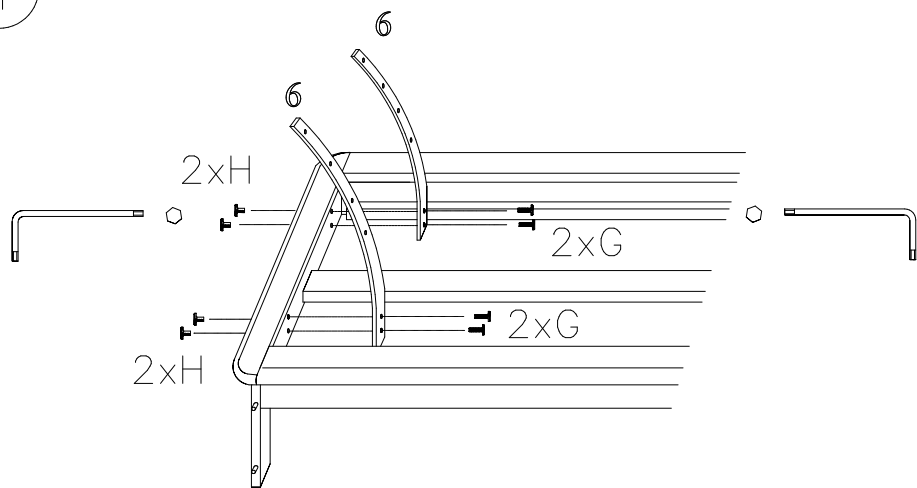
B		M6x60	x4
C		M6x10x13	x4

D		7x50	x3
---	--	------	----



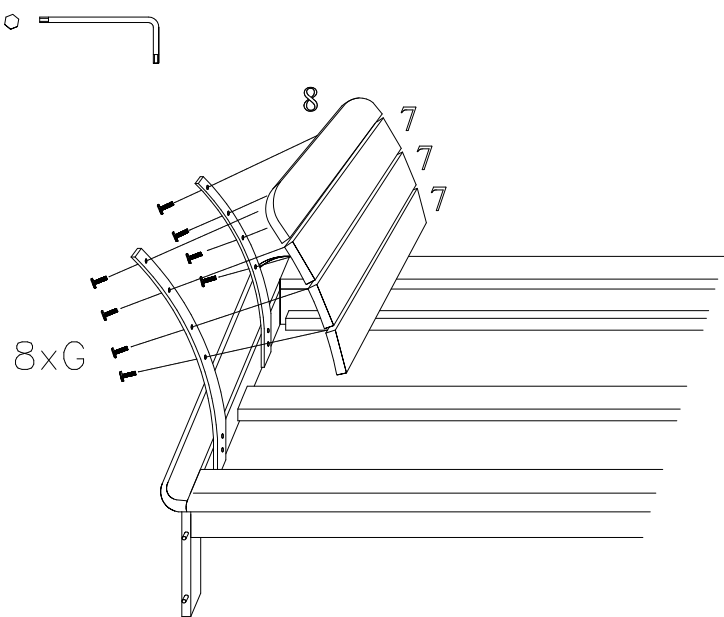
F		M6x10x11	x8
---	--	----------	----

4



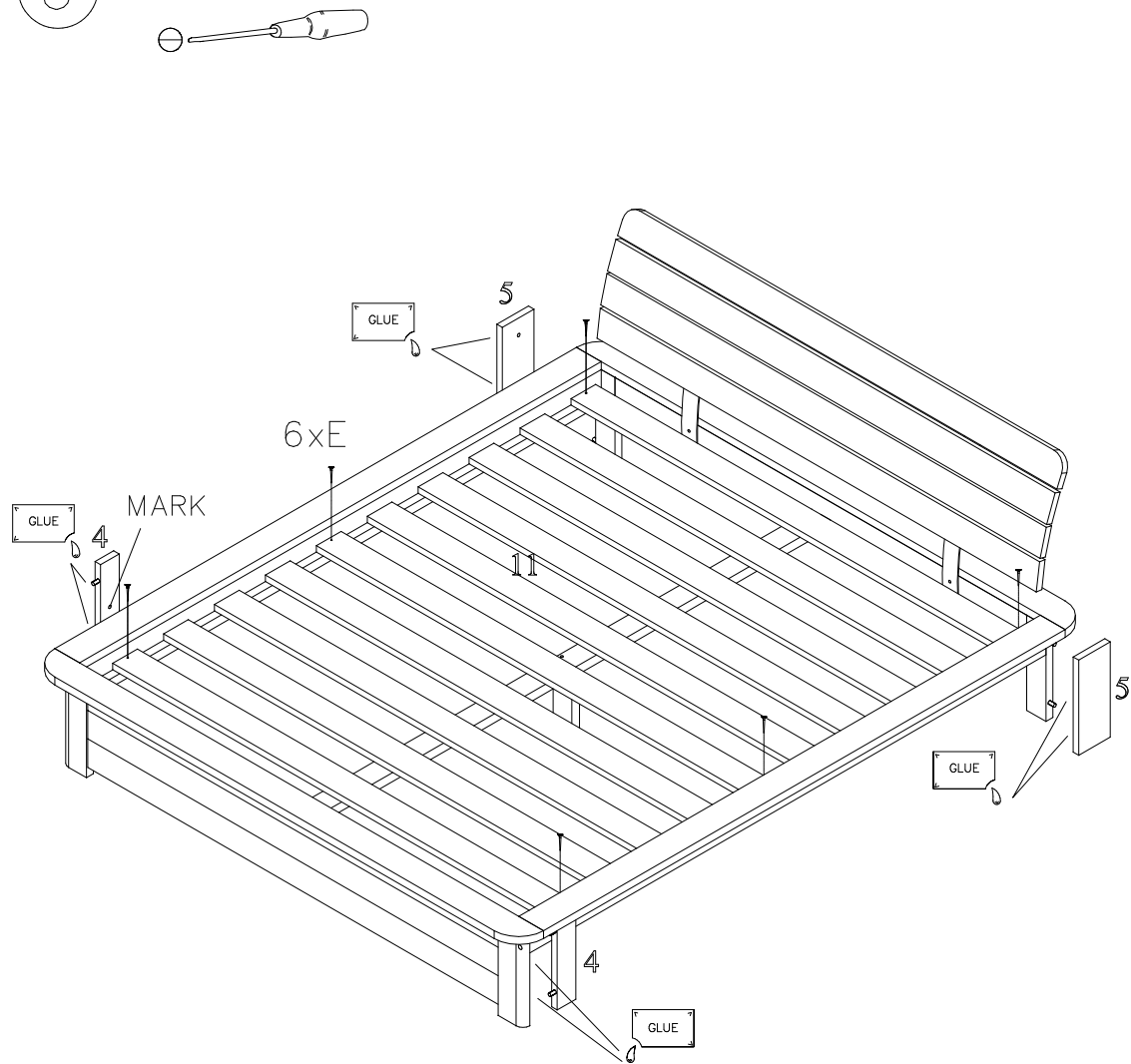
G		M6x20	x4	H		M6x8x12x15	x4
---	---	-------	----	---	---	------------	----


5



G		M6x20	x8
---	---	-------	----

6



E		3,5x40	x6
---	---	--------	----