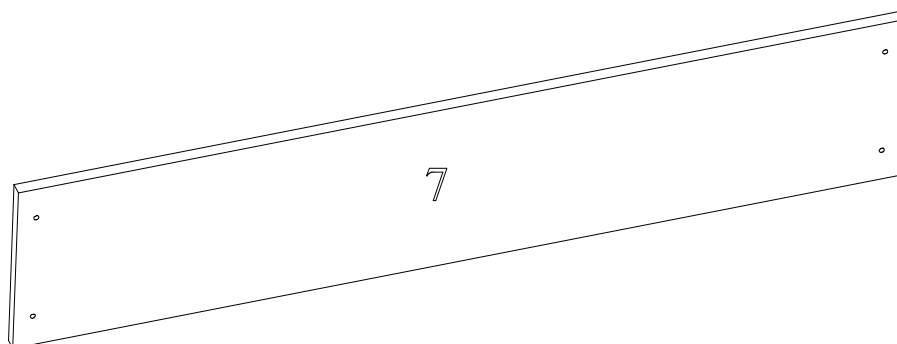
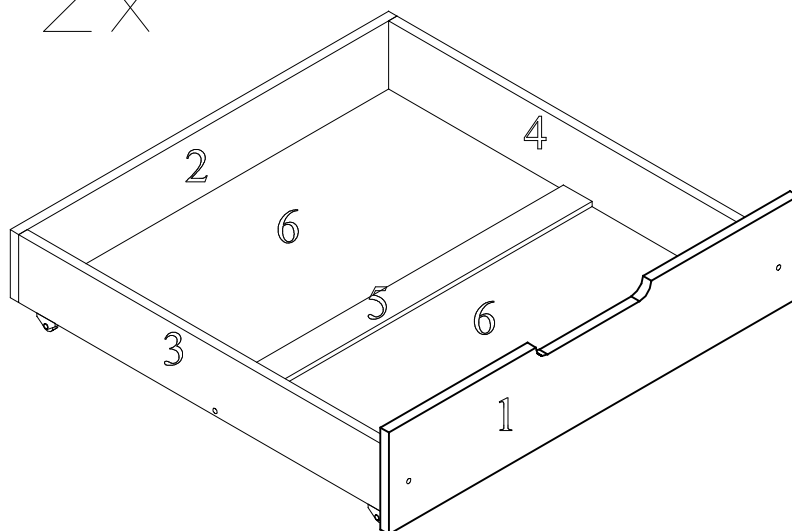


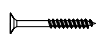

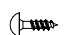

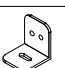


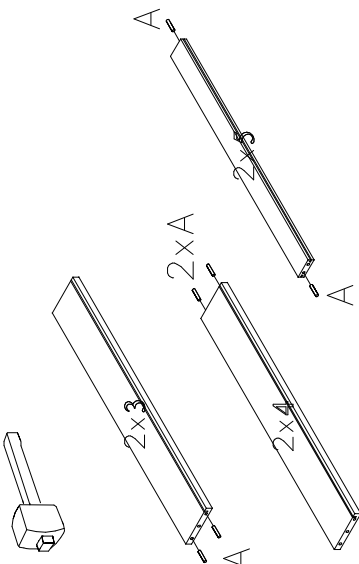


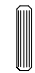
2x



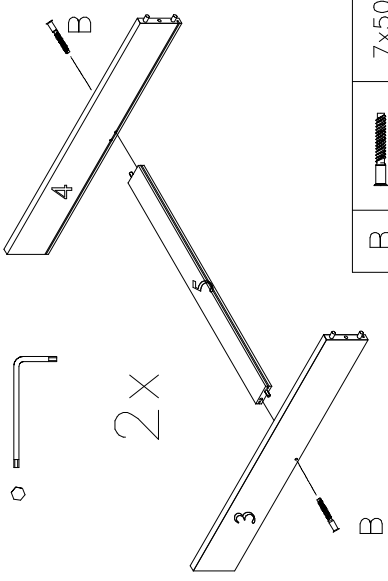
A		8x40	x12	840
B		7x50	x8	305453
C		3,5x40	x8	103302
D		D=26	x8	240066
E		3,5x16	x16	103385
F		3,5x16	x3	103234
G		26x27	x3	211002
H		4x30	x4	103262
		4mm	x1	241184


1



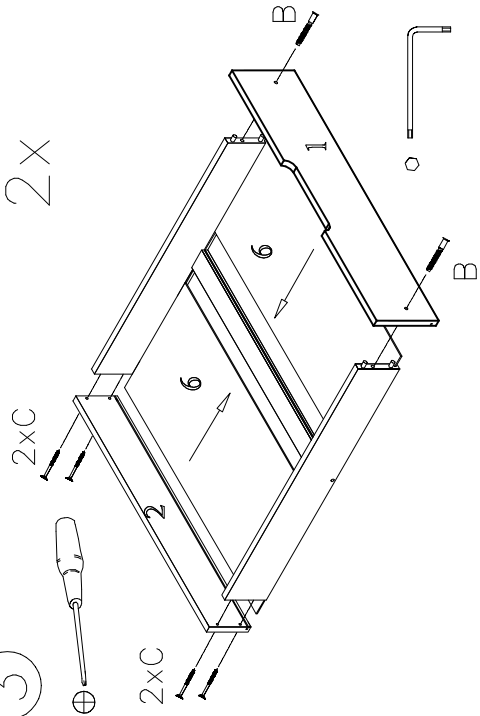
A		8x40	x20
---	-------------------------------------------------------------------------------------	------	-----



2



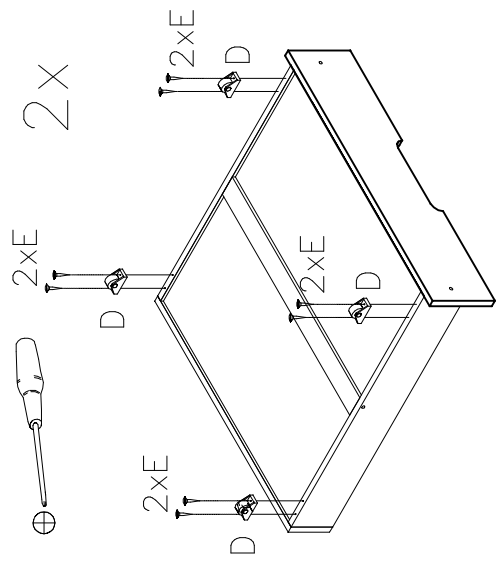
B		7x50	x4
---	-----------------------------------------------------------------------------------	------	----



3



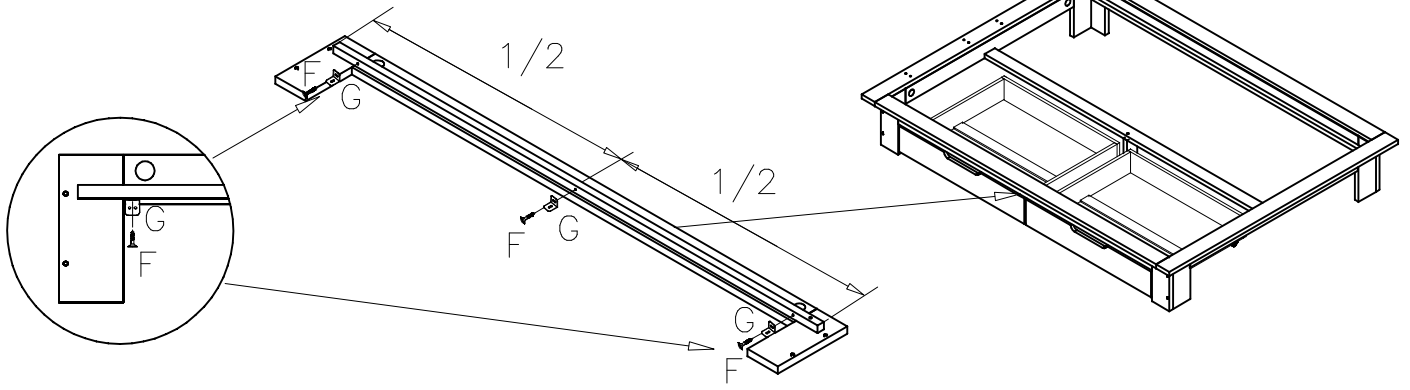
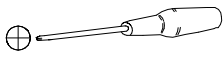
B		7x50	x8
C		3,5x40	x8

4



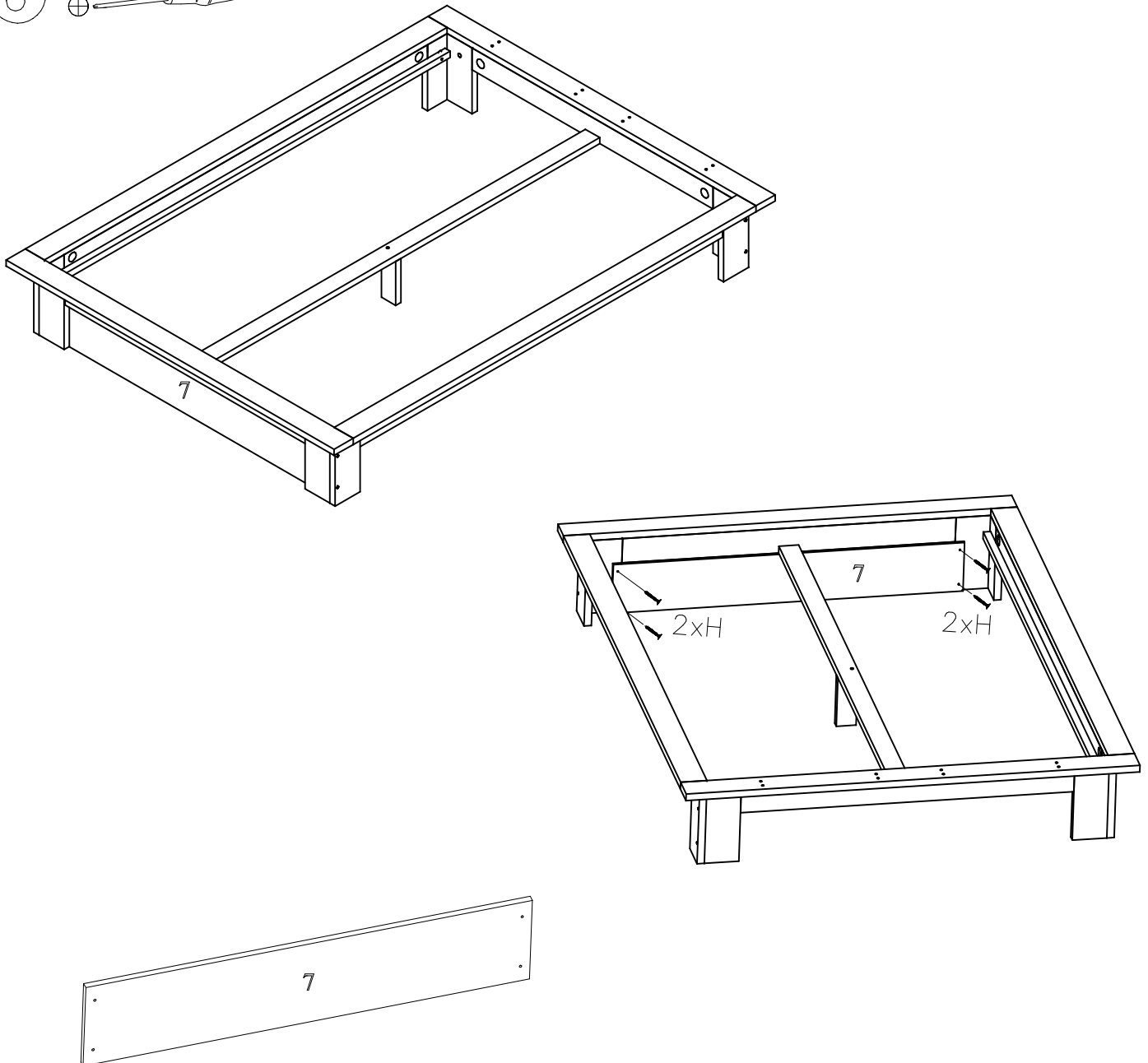
D		D=26	x8
E		3,5x16	x16

5



G		26x27	x3
F		3,5x16	x3

6



H		4x30	x4
---	--	------	----